

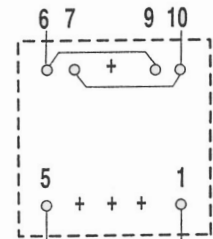
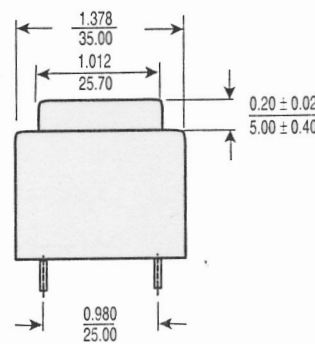
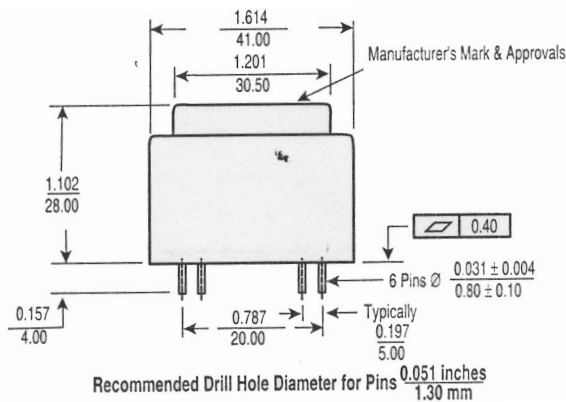
# 44000 Series EI 38-13.6 (3.2 VA) Sealed Power Transformer

## FEATURES

- UL and VDE Approvals
- Vacuum Filled
- Split Bobbin Design
- Self-Extinguishing Plastics UL94V-0
- Dielectric Strength 4200Vrms
- Inherently energy limited
- Resin Class B IEC 85 (20,000 h Testing to IEC 216)
- Conforms to EN 60742
- 100% Production Tested
- Weight: 150 grams



## OUTLINE DIMENSIONS

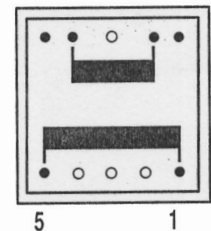


Recommended layout for transformers with 1 secondary winding (allows the use of a transformer with 2 secondary windings)

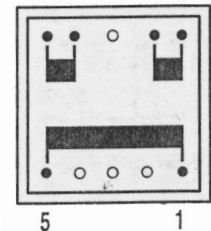
## ELECTRICAL SPECIFICATIONS

ORDER NUMBER 115 VAC	ORDER NUMBER 230 VAC	SEC. VOLTAGE V	SEC. CURRENT mA	NO LOAD VOLTAGE V	SEC. PROTECTION mA	AMBIENT TEMP. °C
44205	44193	6	533	8	630	70
44206	44194	9	356	12	400	70
44207	44195	12	267	16	315	70
44208	44196	15	213	20	250	70
44209	44197	18	178	24.1	200	70
44210	44198	24	133	32.1	160	70
44211	44199	2 x 6	2 x 267	2 x 8	315	70
44212	44200	2 x 9	2 x 178	2 x 12	200	70
44213	44201	2 x 12	2 x 133	2 x 16	160	70
44214	44202	2 x 15	2 x 107	2 x 20	125	70
44215	44203	2 x 18	2 x 89	2 x 24	100	70
44216	44204*	2 x 24	2 x 67	2 x 32.1	80	70

1 Secondary Winding  
6 7 9 10



2 Secondary Windings  
6 7 9 10



NOTE: Circuit isolation protection is provided per EN 60742

\* Limited Approval Ratings



**ZETTLER Magnetics, Inc.**

The Power to Transform

75 COLUMBIA o ALISO VIEJO, CA 92656 o PHONE 949-360-5838 o FAX 949-360-5839  
o WEB SITE: <http://www.zettlermagnetics.com> o E-MAIL: [sales@zettlermagnetics.com](mailto:sales@zettlermagnetics.com)