

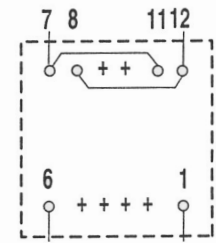
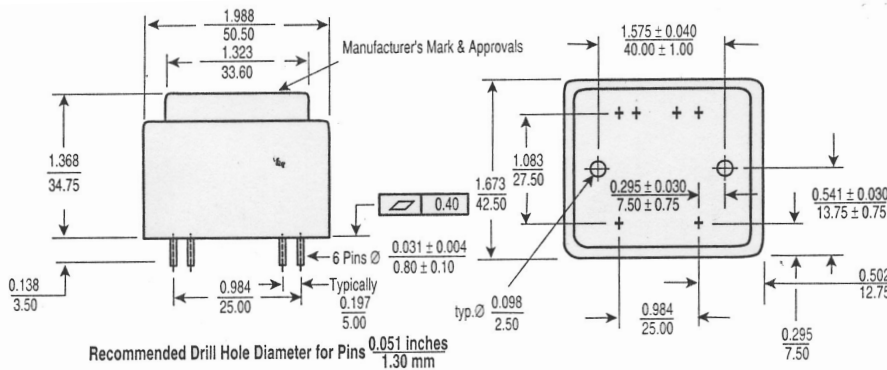
44000 Series EI 48-16.8 (10VA) Sealed Power Transformer

FEATURES

- UL and VDE Approvals
- Vacuum Filled
- Split Bobbin Design
- Self-Extinguishing Plastics UL94V-0
- Dielectric Strength 4200Vrms
- Inherently energy limited
- Resin Class B IEC 85 (20,000 h Testing to IEC 216)
- Conforms to EN 60742
- 100% Production Tested
- Weight: 300 grams



OUTLINE DIMENSIONS

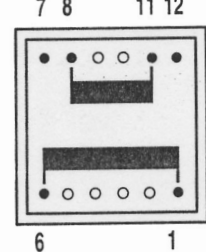


Recommended layout for transformers with 1 secondary winding (allows the use of a transformer with 2 secondary windings)

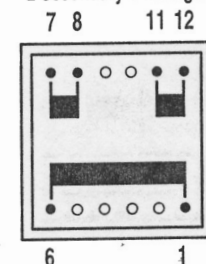
ELECTRICAL SPECIFICATIONS

ORDER NO. 115 VAC Pri. Protection 125 mA	ORDER NO. 230 VAC Pri. Protection 63 mA	SEC. VOLTAGE V	SEC. CURRENT mA	NO LOAD VOLTAGE V	AMBIENT TEMP. °C
44277	44265	6	1667	7.2	50
44278	44266	9	1111	10.8	50
44279	44267	12	833	14.4	50
44280	44268	15	667	18.1	50
44281	44269	18	556	21.6	50
44282	44270	24	417	28.9	50
44283	44271	2 x 6	2 x 833	2 x 7.2	50
44284	44272	2 x 9	2 x 556	2 x 10.8	50
44285	44273	2 x 12	2 x 417	2 x 14.4	50
44286	44274	2 x 15	2 x 333	2 x 18.1	50
44287	44275	2 x 18	2 x 278	2 x 21.6	50
44288	44276*	2 x 24	2 x 208	2 x 28.9	50

1 Secondary Winding



2 Secondary Windings



NOTE: Circuit isolation protection is provided per EN 60742

* Limited Approval Ratings



ZETTLER Magnetics, Inc.

The Power to Transform

75 COLUMBIA o ALISO VIEJO, CA 92656 o PHONE 949-360-5838 o FAX 949-360-5839
o WEB SITE: <http://www.zettlermagnetics.com> o E-MAIL: sales@zettlermagnetics.com