

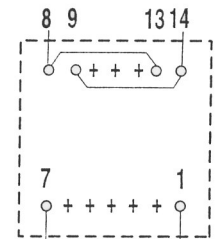
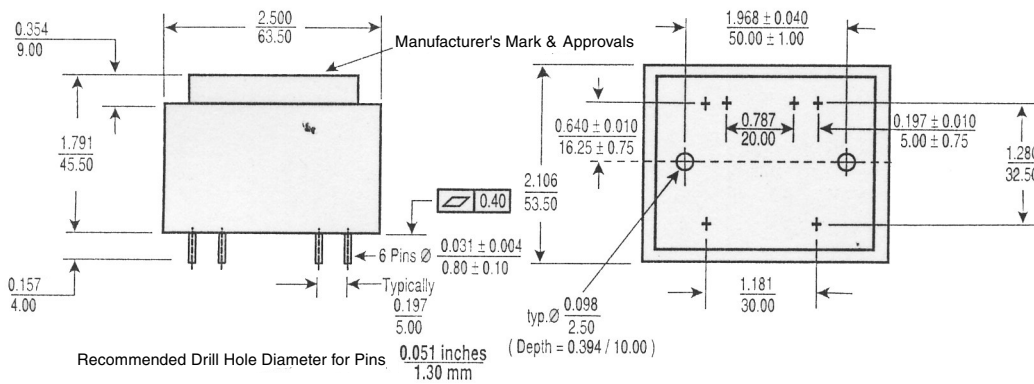
44000 Series EI 60-21 (22VA) Sealed Power Transformer

FEATURES

- UL and VDE Approvals
- Vacuum Filled
- Split Bobbin Design
- Self-Extinguishing Plastics UL94V-0
- Dielectric Strength 4200Vrms
- Inherently energy limited
- Resin Class B IEC 85 (20,000 h Testing to IEC 216)
- Conforms to EN 60742
- 100% Production Tested
- Weight: 550 grams



OUTLINE DIMENSIONS

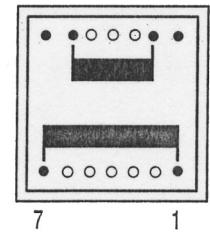


Recommended layout for transformers with 1 secondary winding (allows for use of a transformer with 2 secondary windings)

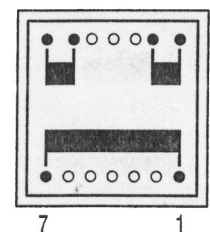
ELECTRICAL SPECIFICATIONS

ORDER NO. 115 VAC Pri. Protection 250 mA	ORDER NO. 230 VAC Pri. Protection 125 mA	SEC. VOLTAGE V	SEC. CURRENT mA	NO LOAD VOLTAGE V	AMBIENT TEMP. °C
44444	44432	6	3667	6.8	50
44445	44433	9	2444	10.3	50
44446	44434	12	1833	13.7	50
44447	44435	15	1467	17.1	50
44448	44436	18	1222	20.5	50
44449	44437	24	917	27.3	50
44450	44438	2 x 6	2 x 1833	2 x 6.8	50
44451	44439	2 x 9	2 x 1222	2 x 10.3	50
44452	44440	2 x 12	2 x 917	2 x 13.7	50
44453	44441	2 x 15	2 x 733	2 x 17.1	50
44454	44442	2 x 18	2 x 611	2 x 20.5	50
44455	44443*	2 x 24	2 x 458	2 x 27.3	50

1 Secondary Winding
8 9 13 14



2 Secondary Windings
8 9 13 14



NOTE: Circuit isolation protection is provided per EN 60742
* Limited Approval Ratings



ZETTLER Magnetics, Inc.

The Power to Transform

75 COLUMBIA o ALISO VIEJO, CA 92656 o PHONE 949-360-5838 o FAX 949-360-5839
o WEB SITE: <http://www.zettlermagnetics.com> o E-MAIL: sales@zettlermagnetics.com