

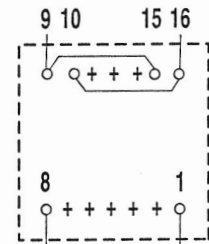
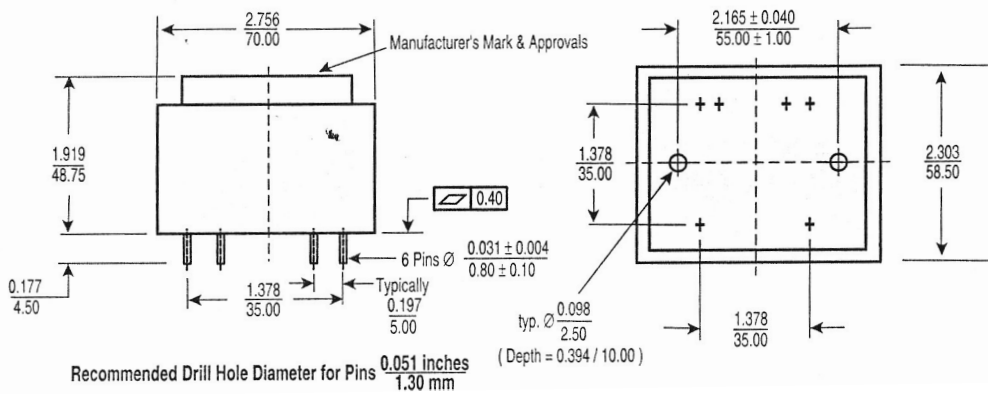
44000 Series EI 66-23 (30VA) Sealed Power Transformer

FEATURES

- UL and VDE Approvals
- Vacuum Filled
- Split Bobbin Design
- Self-Extinguishing Plastics UL94V-0
- Dielectric Strength 4200Vrms
- Inherently energy limited
- Resin Class B IEC 85 (20,000 h Testing to IEC 216)
- Conforms to EN 60742
- 100% Production Tested
- Weight: 700 grams



OUTLINE DIMENSIONS



Recommended layout for transformers with 1 secondary winding (allows the use of a transformer with 2 secondary windings)

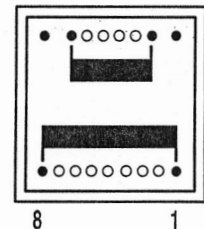
ELECTRICAL SPECIFICATIONS

ORDER NO. 115 VAC Pri. Protection 315 mA	ORDER NO. 230 VAC Pri. Protection 160 mA	SEC. VOLTAGE V	SEC. CURRENT mA	NO LOAD VOLTAGE V	AMBIENT TEMP. °C
44385	44373	6	5000	6.9	50
44386	44374	9	3333	10.3	50
44387	44375	12	2500	13.8	50
44388	44376	15	2000	17.2	50
44389	44377	18	1667	20.8	50
44390	44378	24	1250	27.7	50
44391	44379	2 x 6	2 x 2500	2 x 6.9	50
44392	44380	2 x 9	2 x 1667	2 x 10.3	50
44393	44381	2 x 12	2 x 1250	2 x 13.8	50
44394	44382	2 x 15	2 x 1000	2 x 17.2	50
44395	44383	2 x 18	2 x 833	2 x 20.8	50
44396	44384*	2 x 24	2 x 625	2 x 27.7	50

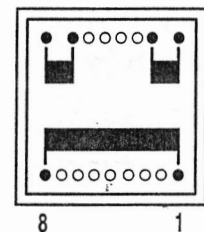
NOTE: Circuit isolation protection is provided per EN 60742

* Limited Approval Ratings

1 Secondary Winding
9 10 15 16



2 Secondary Windings
9 10 15 16



ZETTLER Magnetics, Inc.

The Power to Transform

75 COLUMBIA o ALISO VIEJO, CA 92656 o PHONE 949-360-5838 o FAX 949-360-5839
o WEB SITE: <http://www.zettlermagnetics.com> o E-MAIL: sales@zettlermagnetics.com