

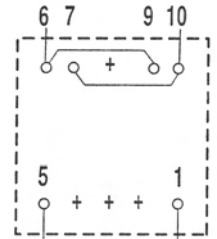
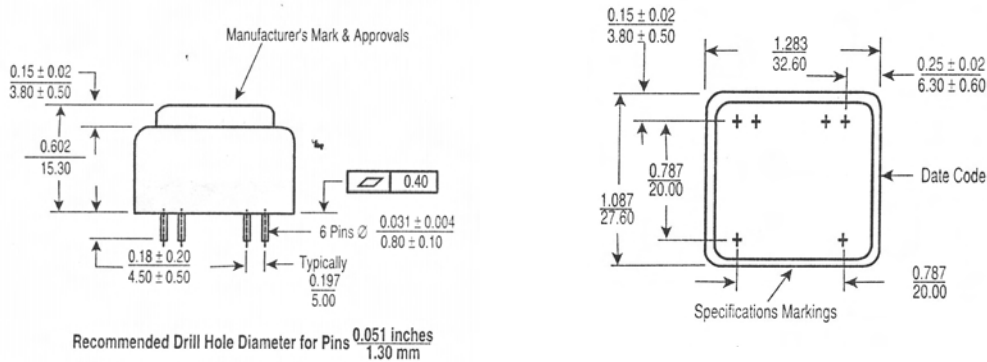
# 44000 Series EI 30-5 (0.6 VA) Sealed Power Transformer

## FEATURES

- UL and VDE Approvals
- Vacuum Filled
- Split Bobbin Design
- Self-Extinguishing Plastics UL94V-0
- Dielectric Strength 4200Vrms
- Inherently energy limited
- Resin Class B IEC 85 (20,000 h Testing to IEC 216)
- Conforms to EN 60742
- 100% Production Tested
- Weight: 40 grams



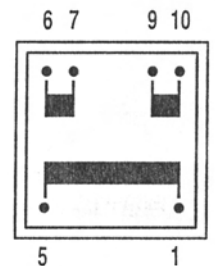
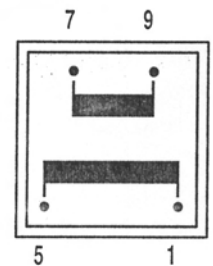
## OUTLINE DIMENSIONS



Recommended layout for transformers with 1 secondary winding (allows the use of a transformer with 2 secondary windings)

## ELECTRICAL SPECIFICATIONS

ORDER NUMBER 115 VAC	ORDER NUMBER 230 VAC	SEC. VOLTAGE V	SEC. CURRENT mA	NO LOAD VOLTAGE V	AMBIENT TEMP. °C
44025	44013	6	100	9.94	70
44026	44014	9	66	14.95	70
44027	44015	12	50	19.9	70
44028	44016	15	40	24.9	70
44029	44017	18	33	29.9	70
44030	44018	24	25	39.8	70
44031	44019	2 x 6	2 x 50	2 x 9.94	70
44032	44020	2 x 9	2 x 33	2 x 14.95	70
44033	44021	2 x 12	2 x 25	2 x 19.9	70
44034	44022*	2 x 15	2 x 20	2 x 24.9	70
44035	44023*	2 x 18	2 x 17	2 x 29.9	70
44036	44024*	2 x 24	2 x 12	2 x 39.8	70



NOTE: Circuit isolation protection is provided per EN 60742  
\* Limited Approval Ratings



**ZETTLER Magnetics, Inc.**

The Power to Transform

75 COLUMBIA o ALISO VIEJO, CA 92656 o PHONE 949-360-5838 o FAX 949-360-5839  
o WEB SITE: <http://www.zettlermagnetics.com> o E-MAIL: [sales@zettlermagnetics.com](mailto:sales@zettlermagnetics.com)

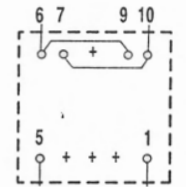
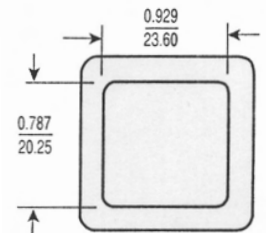
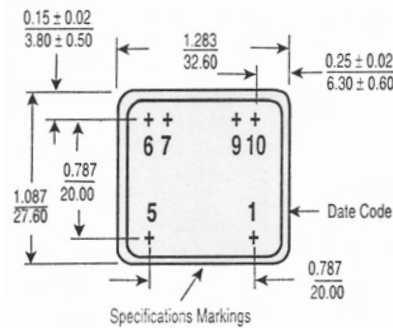
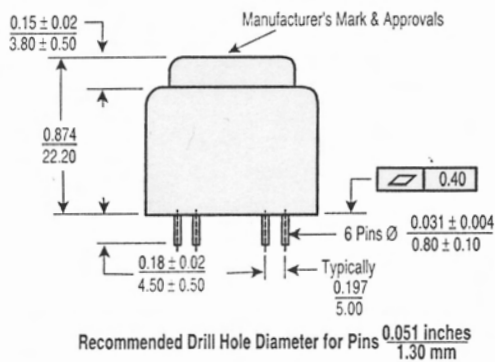
# 44000 Series EI 30-10.5 (1 VA) Sealed Power Transformer

## FEATURES

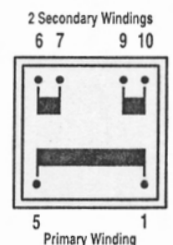
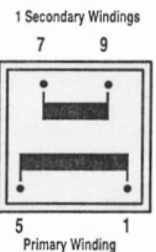
- UL and VDE Approvals
- Vacuum Filled
- Split Bobbin Design
- Self-Extinguishing Plastics UL94V-0
- Dielectric Strength 4200Vrms
- Inherently energy limited
- Resin Class B IEC 85 (20,000 h Testing to IEC 216)
- Conforms to EN 60742
- 100% Production Tested
- Weight: 70 grams



## OUTLINE DIMENSIONS



Recommended layout for transformers with 1 secondary winding (allows the use of a transformer with 2 secondary windings)



## ELECTRICAL SPECIFICATIONS

ORDER NUMBER 115 VAC	ORDER NUMBER 230 VAC	SEC. VOLTAGE V	SEC. CURRENT mA	NO LOAD VOLTAGE V	AMBIENT TEMP. °C
44061	44049	6	167	8.6	70
44062	44050	9	111	12.9	70
44063	44051	12	83	17.2	70
44064	44052	15	67	21.6	70
44065	44053	18	56	25.9	70
44066	44054	24	42	37.9	70
44067	44055	2 x 6	2 x 83	2 x 8.6	70
44068	44056	2 x 9	2 x 56	2 x 12.9	70
44069	44057	2 x 12	2 x 42	2 x 19	70
44070	44058	2 x 15	2 x 33	2 x 23.6	70
44071	44059	2 x 18	2 x 28	2 x 24.9	70
44072	44060*	2 x 24	2 x 21	2 x 37.9	70

NOTE: Circuit isolation protection is provided per EN 60742  
\* Limited Approval Ratings



**ZETTLER Magnetics, Inc.**

The Power to Transform

75 COLUMBIA o ALISO VIEJO, CA 92656 o PHONE 949-360-5838 o FAX 949-360-5839  
o WEB SITE: <http://www.zettlermagnetics.com> o E-MAIL: [sales@zettlermagnetics.com](mailto:sales@zettlermagnetics.com)

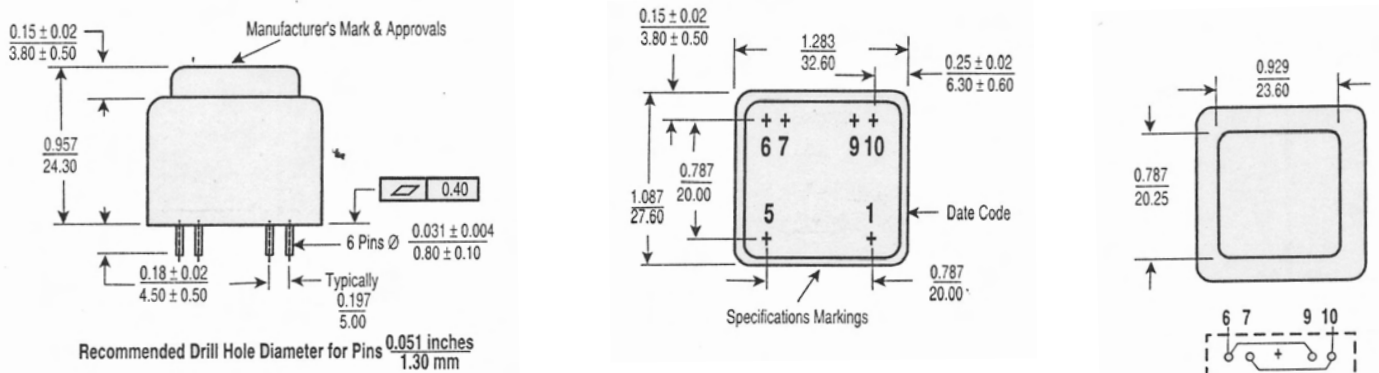
# 44000 Series EI 30-12.5 (1.5 VA) Sealed Power Transformer

## FEATURES

- UL and VDE Approvals
- Vacuum Filled
- Split Bobbin Design
- Self-Extinguishing Plastics UL94V-0
- Dielectric Strength 4200Vrms
- Inherently energy limited
- Resin Class B IEC 85 (20,000 h Testing to IEC 216)
- Conforms to EN 60742
- 100% Production Tested
- Weight: 80 grams



## OUTLINE DIMENSIONS

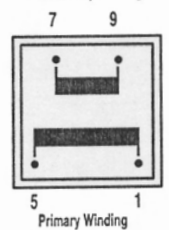


## ELECTRICAL SPECIFICATIONS

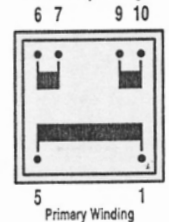
ORDER NUMBER 115 VAC	ORDER NUMBER 230 VAC	SEC. VOLTAGE V	SEC. CURRENT mA	NO LOAD VOLTAGE V	AMBIENT TEMP. °C
44097	44085	6	250	9.7	70
44098	44086	9	167	14.5	70
44099	44087	12	125	19.3	70
44100	44088	15	100	24.2	70
44101	44089	18	83	29.8	70
44102	44090	24	63	38.6	70
44103	44091	2 x 6	2 x 125	2 x 9.7	70
44104	44092	2 x 9	2 x 83	2 x 15	70
44105	44093	2 x 12	2 x 63	2 x 19.3	70
44106	44094	2 x 15	2 x 50	2 x 24.2	70
44107	44095*	2 x 18	2 x 42	2 x 29	70
44108	44096*	2 x 24	2 x 31	2 x 38.6	70

Recommended layout for transformers with 1 secondary winding (allows the use of a transformer with 2 secondary windings)

1 Secondary Windings



2 Secondary Windings



NOTE: Circuit isolation protection is provided per EN 60742

\* Limited Approval Ratings



**ZETTLER Magnetics, Inc.**

The Power to Transform

75 COLUMBIA o ALISO VIEJO, CA 92656 o PHONE 949-360-5838 o FAX 949-360-5839  
o WEB SITE: <http://www.zettlermagnetics.com> o E-MAIL: [sales@zettlermagnetics.com](mailto:sales@zettlermagnetics.com)

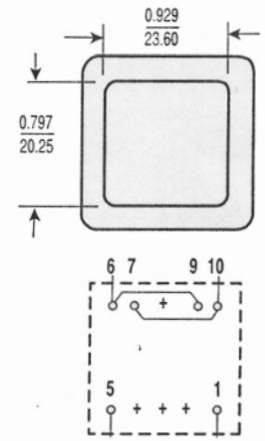
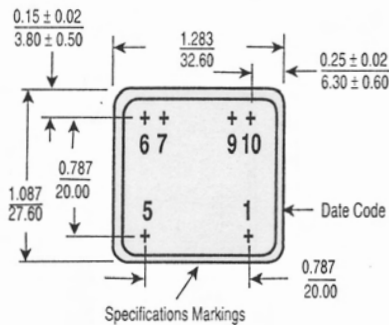
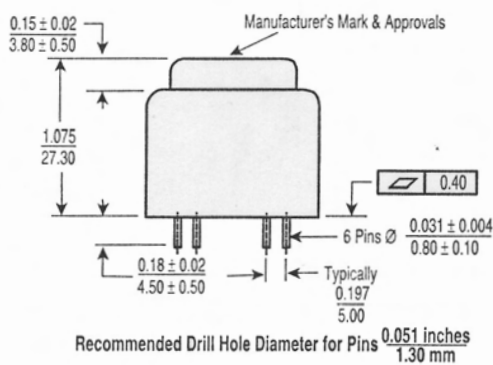
# 44000 Series EI 30-15.5 (2 VA) Sealed Power Transformer

## FEATURES

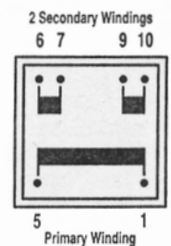
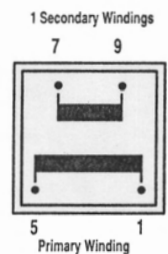
- UL and VDE Approvals
- Vacuum Filled
- Split Bobbin Design
- Self-Extinguishing Plastics UL94V-0
- Dielectric Strength 4200Vrms
- Inherently energy limited
- Resin Class B IEC 85 (20,000 h Testing to IEC 216)
- Conforms to EN 60742
- 100% Production Tested
- Weight: 100 grams



## OUTLINE DIMENSIONS



Recommended layout for transformers with 1 secondary winding (allows the use of a transformer with 2 secondary windings)



## ELECTRICAL SPECIFICATIONS

ORDER NUMBER 115 VAC	ORDER NUMBER 230 VAC	SEC. VOLTAGE V	SEC. CURRENT mA	NO LOAD VOLTAGE V	AMBIENT TEMP. °C
44133	44121	6	333	10.4	70
44134	44122	9	222	15.5	70
44135	44123	12	167	20.7	70
44136	44124	15	133	25.8	70
44137	44125	18	111	30.8	70
44138	44126	24	83	41.4	70
44139	44127	2 x 6	2 x 167	2 x 10.4	70
44140	44128	2 x 9	2 x 111	2 x 15.4	70
44141	44129	2 x 12	2 x 83	2 x 20.7	70
44142	44130	2 x 15	2 x 67	2 x 25.8	70
44143	44131*	2 x 18	2 x 56	2 x 30.8	70
44144	44132*	2 x 24	2 x 42	2 x 41.4	70

NOTE: Circuit isolation protection is provided per EN 60742  
\* Limited Approval Ratings



**ZETTLER Magnetics, Inc.**

The Power to Transform

75 COLUMBIA o ALISO VIEJO, CA 92656 o PHONE 949-360-5838 o FAX 949-360-5839  
o WEB SITE: <http://www.zettlermagnetics.com> o E-MAIL: [sales@zettlermagnetics.com](mailto:sales@zettlermagnetics.com)

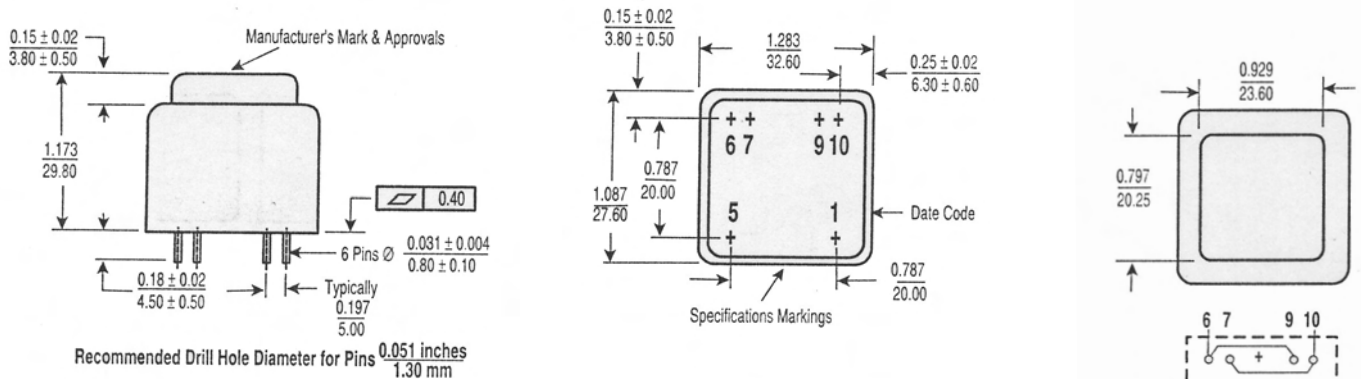
# 44000 Series EI 30-18 (2.3 VA) Sealed Power Transformer

## FEATURES

- UL and VDE Approvals
- Vacuum Filled
- Split Bobbin Design
- Self-Extinguishing Plastics UL94V-0
- Dielectric Strength 4200Vrms
- Inherently energy limited
- Resin Class B IEC 85 (20,000 h Testing to IEC 216)
- Conforms to EN 60742
- 100% Production Tested
- Weight: 110 grams



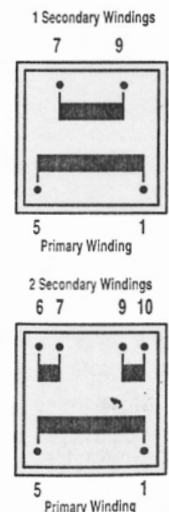
## OUTLINE DIMENSIONS



## ELECTRICAL SPECIFICATIONS

ORDER NUMBER 115 VAC	ORDER NUMBER 230 VAC	SEC. VOLTAGE V	SEC. CURRENT mA	NO LOAD VOLTAGE V	AMBIENT TEMP. °C
44169	44157	6	383	10.5	70
44170	44158	9	256	15.7	70
44171	44159	12	192	21	70
44172	44160	15	153	25.9	70
44173	44161	18	128	31.4	70
44174	44162	24	96	41.9	70
44175	44163	2 x 6	2 x 192	2 x 10.5	70
44176	44164	2 x 9	2 x 128	2 x 15.7	70
44177	44165	2 x 12	2 x 96	2 x 21	70
44178	44166	2 x 15	2 x 77	2 x 25.9	70
44179	44167*	2 x 18	2 x 64	2 x 31.4	70
44180	44168*	2 x 24	2 x 48	2 x 41.9	70

Recommended layout for transformers with 1 secondary winding (allows the use of a transformer with 2 secondary windings)



NOTE: Circuit isolation protection is provided per EN 60742  
\* Limited Approval Ratings



**ZETTLER Magnetics, Inc.**

The Power to Transform

75 COLUMBIA o ALISO VIEJO, CA 92656 o PHONE 949-360-5838 o FAX 949-360-5839  
o WEB SITE: <http://www.zettlermagnetics.com> o E-MAIL: [sales@zettlermagnetics.com](mailto:sales@zettlermagnetics.com)



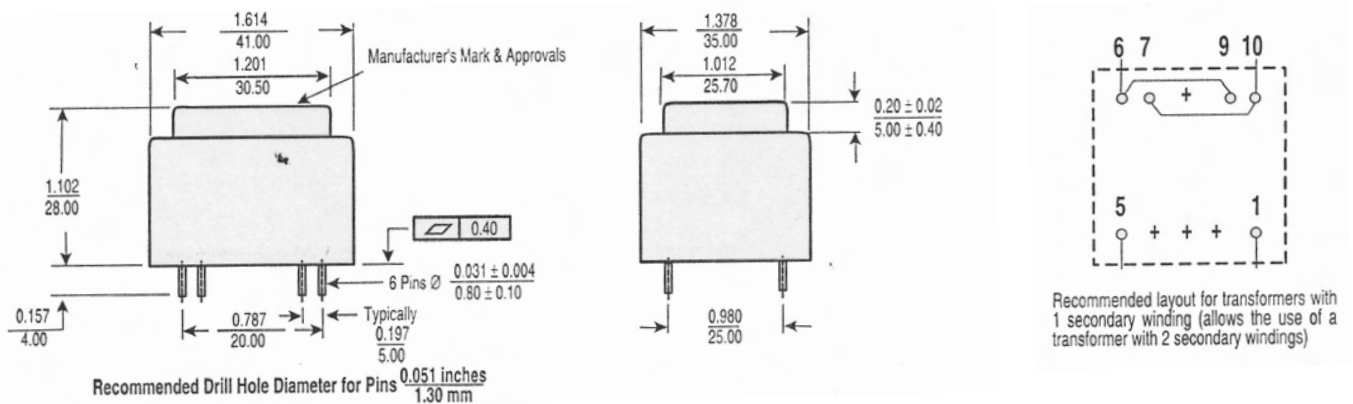
# 44000 Series EI 38-13.6 (3.2 VA) Sealed Power Transformer

## FEATURES

- UL and VDE Approvals
- Vacuum Filled
- Split Bobbin Design
- Self-Extinguishing Plastics UL94V-0
- Dielectric Strength 4200Vrms
- Inherently energy limited
- Resin Class B IEC 85 (20,000 h Testing to IEC 216)
- Conforms to EN 60742
- 100% Production Tested
- Weight: 150 grams

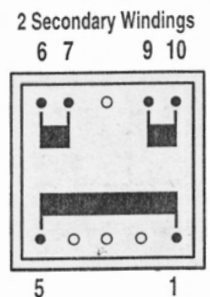
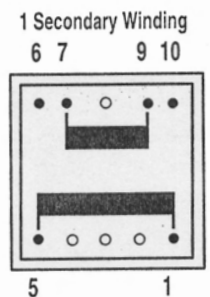


## OUTLINE DIMENSIONS



## ELECTRICAL SPECIFICATIONS

ORDER NUMBER 115 VAC	ORDER NUMBER 230 VAC	SEC. VOLTAGE V	SEC. CURRENT mA	NO LOAD VOLTAGE V	SEC. PROTECTION mA	AMBIENT TEMP. °C
44205	44193	6	533	8	630	70
44206	44194	9	356	12	400	70
44207	44195	12	267	16	315	70
44208	44196	15	213	20	250	70
44209	44197	18	178	24.1	200	70
44210	44198	24	133	32.1	160	70
44211	44199	2 x 6	2 x 267	2 x 8	315	70
44212	44200	2 x 9	2 x 178	2 x 12	200	70
44213	44201	2 x 12	2 x 133	2 x 16	160	70
44214	44202	2 x 15	2 x 107	2 x 20	125	70
44215	44203	2 x 18	2 x 89	2 x 24	100	70
44216	44204*	2 x 24	2 x 67	2 x 32.1	80	70



NOTE: Circuit isolation protection is provided per EN 60742  
\* Limited Approval Ratings



**ZETTLER Magnetics, Inc.** The Power to Transform

75 COLUMBIA o ALISO VIEJO, CA 92656 o PHONE 949-360-5838 o FAX 949-360-5839  
o WEB SITE: <http://www.zettlermagnetics.com> o E-MAIL: [sales@zettlermagnetics.com](mailto:sales@zettlermagnetics.com)

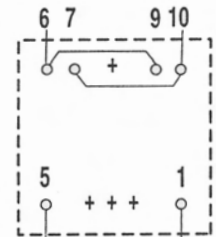
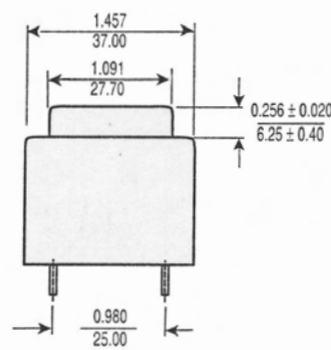
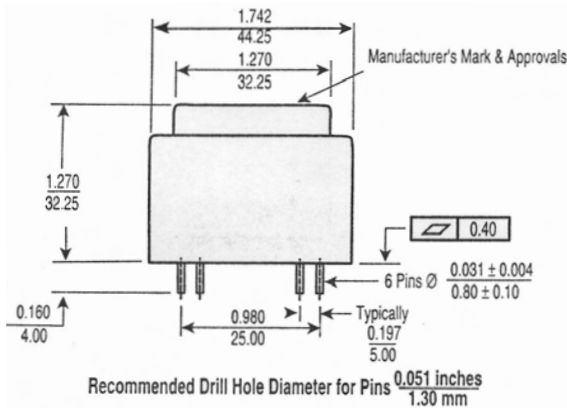
# 44000 Series EI 42-14.8 [5 VA] Sealed Power Transformer

## FEATURES

- UL and VDE Approvals
- Vacuum Filled
- Split Bobbin Design
- Self-Extinguishing Plastics UL94V-O
- Dielectric Strength 4200Vrms
- Inherently energy limited
- Resin Class B IEC 85 (20,000 h Testing to IEC 216)
- Conforms to EN 60742
- 100% Production Tested
- Weight: 200 grams



## OUTLINE DIMENSIONS

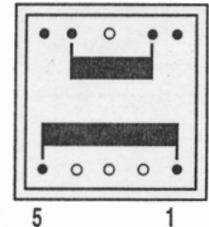


Recommended layout for transformers with 1 secondary winding (allows the use of a transformer with 2 secondary windings)

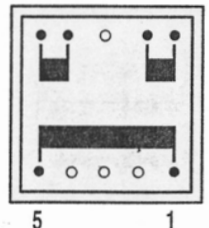
## ELECTRICAL SPECIFICATIONS

ORDER NUMBER 115 VAC	ORDER NUMBER 230 VAC	SEC. VOLTAGE V	SEC. CURRENT mA	NO LOAD VOLTAGE V	SEC. PROTECTION mA	AMBIENT TEMP. °C
44241	44229	6	833	8.4	800	50
44242	44230	9	556	12.6	630	50
44243	44231	12	417	16.9	400	50
44244	44232	15	333	21	315	50
44245	44233	18	278	25.3	315	50
44246	44234	24	208	33.7	200	50
44247	44235	2 x 6	2 x 417	2 x 8.4	400	50
44248	44236	2 x 9	2 x 278	2 x 12.6	315	50
44249	44237	2 x 12	2 x 208	2 x 16.9	200	50
44250	44238	2 x 15	2 x 167	2 x 21	160	50
44251	44239	2 x 18	2 x 139	2 x 25.3	160	50
44252	44240*	2 x 24	2 x 104	2 x 33.7	100	50

1 Secondary Winding  
6 7 9 10



2 Secondary Windings  
6 7 9 10



NOTE: Circuit isolation protection is provided per EN 60742  
\* Limited Approval Ratings



**ZETTLER Magnetics, Inc.**

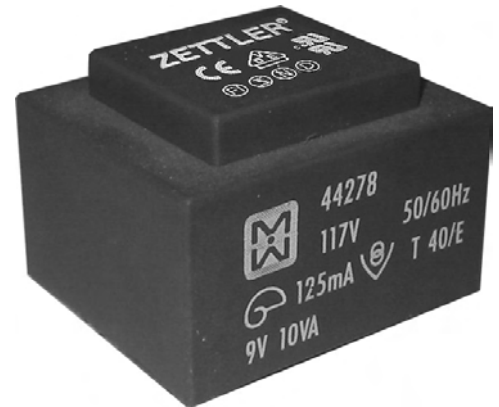
The Power to Transform

75 COLUMBIA o ALISO VIEJO, CA 92656 o PHONE 949-360-5838 o FAX 949-360-5839  
o WEB SITE: <http://www.zettlermagnetics.com> o E-MAIL: [sales@zettlermagnetics.com](mailto:sales@zettlermagnetics.com)

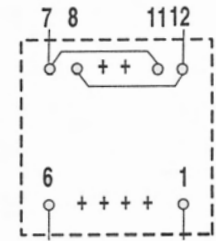
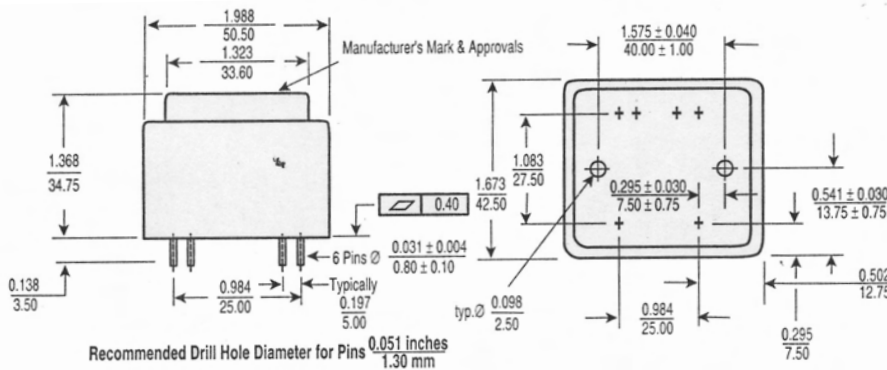
# 44000 Series EI 48-16.8 (10VA) Sealed Power Transformer

## FEATURES

- UL and VDE Approvals
- Vacuum Filled
- Split Bobbin Design
- Self-Extinguishing Plastics UL94V-0
- Dielectric Strength 4200Vrms
- Inherently energy limited
- Resin Class B IEC 85 (20,000 h Testing to IEC 216)
- Conforms to EN 60742
- 100% Production Tested
- Weight: 300 grams



## OUTLINE DIMENSIONS

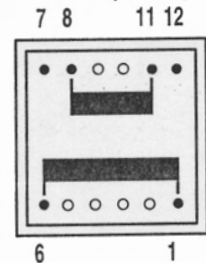


Recommended layout for transformers with 1 secondary winding (allows the use of a transformer with 2 secondary windings)

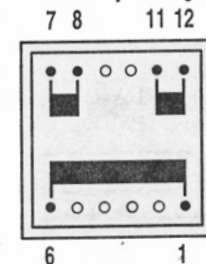
## ELECTRICAL SPECIFICATIONS

ORDER NO. 115 VAC Pri. Protection 125 mA	ORDER NO. 230 VAC Pri. Protection 63 mA	SEC. VOLTAGE V	SEC. CURRENT mA	NO LOAD VOLTAGE V	AMBIENT TEMP. °C
44277	44265	6	1667	7.2	50
44278	44266	9	1111	10.8	50
44279	44267	12	833	14.4	50
44280	44268	15	667	18.1	50
44281	44269	18	556	21.6	50
44282	44270	24	417	28.9	50
44283	44271	2 x 6	2 x 833	2 x 7.2	50
44284	44272	2 x 9	2 x 556	2 x 10.8	50
44285	44273	2 x 12	2 x 417	2 x 14.4	50
44286	44274	2 x 15	2 x 333	2 x 18.1	50
44287	44275	2 x 18	2 x 278	2 x 21.6	50
44288	44276*	2 x 24	2 x 208	2 x 28.9	50

1 Secondary Winding



2 Secondary Windings



NOTE: Circuit isolation protection is provided per EN 60742

\* Limited Approval Ratings



**ZETTLER Magnetics, Inc.**

The Power to Transform

75 COLUMBIA o ALISO VIEJO, CA 92656 o PHONE 949-360-5838 o FAX 949-360-5839  
o WEB SITE: <http://www.zettlermagnetics.com> o E-MAIL: [sales@zettlermagnetics.com](mailto:sales@zettlermagnetics.com)



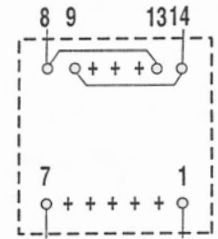
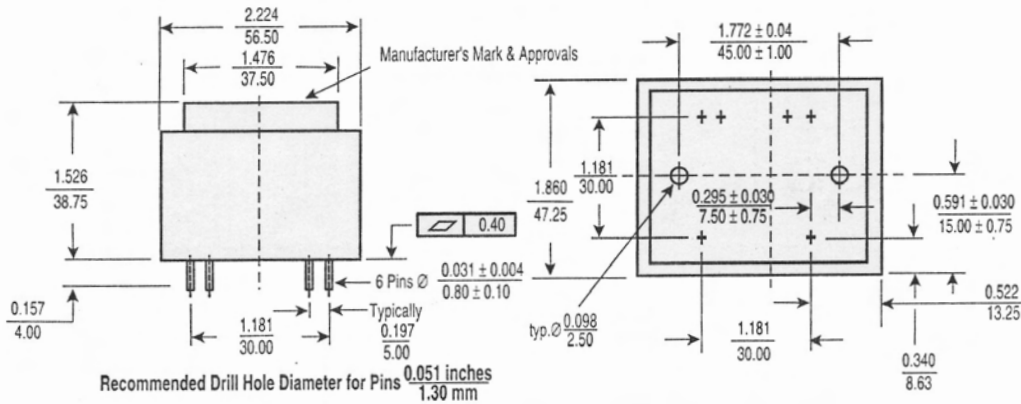
# 44000 Series EI 54-18.8 (16VA) Sealed Power Transformer

## FEATURES

- UL and VDE Approvals
- Vacuum Filled
- Split Bobbin Design
- Self-Extinguishing Plastics UL94V-0
- Dielectric Strength 4200Vrms
- Inherently energy limited
- Resin Class B IEC 85 (20,000 h Testing to IEC 216)
- Conforms to EN 60742
- 100% Production Tested
- Weight: 400 grams



## OUTLINE DIMENSIONS

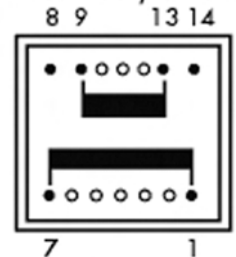


Recommended layout for transformers with 1 secondary winding (allows the use of a transformer with 2 secondary windings)

## ELECTRICAL SPECIFICATIONS

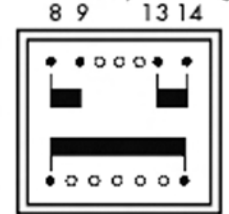
ORDER NUMBER 115 VAC	ORDER NUMBER 230 VAC	SEC. VOLTAGE V	SEC. CURRENT mA	NO LOAD VOLTAGE V	SEC. PROTECTION mA	AMBIENT TEMP. °C
44313	44301	6	2667	7.4	2500	50
44314	44302	9	1778	11.1	2000	50
44315	44303	12	1333	14.7	1250	50
44316	44304	15	1067	18.4	1000	50
44317	44305	18	889	22.1	1000	50
44318	44306	24	667	29.3	630	50
44319	44307	2 x 6	2 x 1333	2 x 7.4	1250	50
44320	44308	2 x 9	2 x 889	2 x 11.1	1000	50
44321	44309	2 x 12	2 x 667	2 x 14.7	630	50
44322	44310	2 x 15	2 x 533	2 x 18.4	500	50
44323	44311	2 x 18	2 x 444	2 x 22	500	50
44324	44312*	2 x 24	2 x 333	2 x 29.3	315	50

1 Secondary winding



Primary winding

2 Secondary windings



Primary winding

NOTE: Circuit isolation protection is provided per EN 60742

\* Limited Approval Ratings



**ZETTLER Magnetics, Inc.**

The Power to Transform

75 COLUMBIA o ALISO VIEJO, CA 92656 o PHONE 949-360-5838 o FAX 949-360-5839  
o WEB SITE: <http://www.zettlermagnetics.com> o E-MAIL: [sales@zettlermagnetics.com](mailto:sales@zettlermagnetics.com)

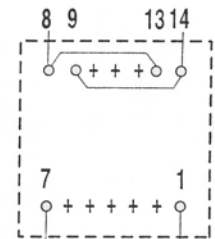
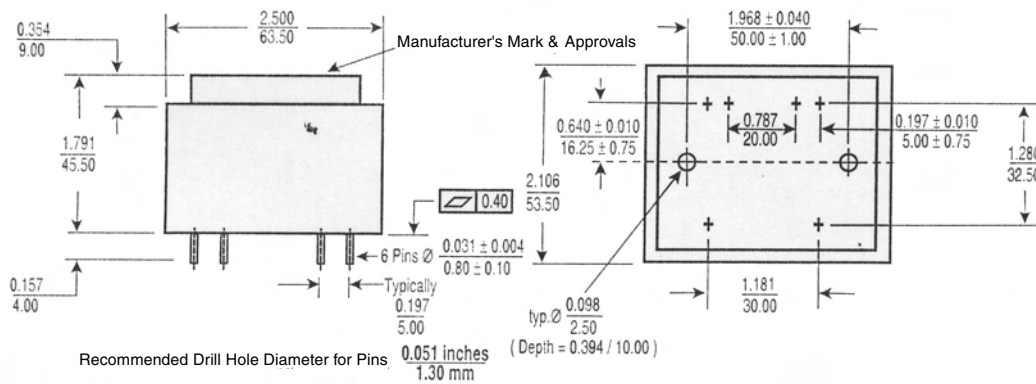
# 44000 Series EI 60-21 (22VA) Sealed Power Transformer

## FEATURES

- UL and VDE Approvals
- Vacuum Filled
- Split Bobbin Design
- Self-Extinguishing Plastics UL94V-0
- Dielectric Strength 4200Vrms
- Inherently energy limited
- Resin Class B IEC 85 (20,000 h Testing to IEC 216)
- Conforms to EN 60742
- 100% Production Tested
- Weight: 550 grams



## OUTLINE DIMENSIONS

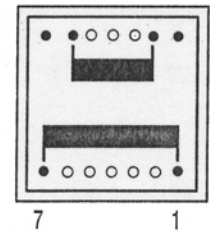


Recommended layout for transformers with 1 secondary winding (allows for use of a transformer with 2 secondary windings)

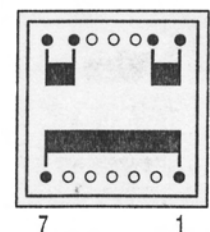
## ELECTRICAL SPECIFICATIONS

ORDER NO. 115 VAC Pri. Protection 250 mA	ORDER NO. 230 VAC Pri. Protection 125 mA	SEC. VOLTAGE V	SEC. CURRENT mA	NO LOAD VOLTAGE V	AMBIENT TEMP. °C
44444	44432	6	3667	6.8	50
44445	44433	9	2444	10.3	50
44446	44434	12	1833	13.7	50
44447	44435	15	1467	17.1	50
44448	44436	18	1222	20.5	50
44449	44437	24	917	27.3	50
44450	44438	2 x 6	2 x 1833	2 x 6.8	50
44451	44439	2 x 9	2 x 1222	2 x 10.3	50
44452	44440	2 x 12	2 x 917	2 x 13.7	50
44453	44441	2 x 15	2 x 733	2 x 17.1	50
44454	44442	2 x 18	2 x 611	2 x 20.5	50
44455	44443*	2 x 24	2 x 458	2 x 27.3	50

1 Secondary Winding  
8 9 13 14



2 Secondary Windings  
8 9 13 14



NOTE: Circuit isolation protection is provided per EN 60742  
\* Limited Approval Ratings



**ZETTLER Magnetics, Inc.**

The Power to Transform

75 COLUMBIA o ALISO VIEJO, CA 92656 o PHONE 949-360-5838 o FAX 949-360-5839  
o WEB SITE: <http://www.zettlermagnetics.com> o E-MAIL: [sales@zettlermagnetics.com](mailto:sales@zettlermagnetics.com)

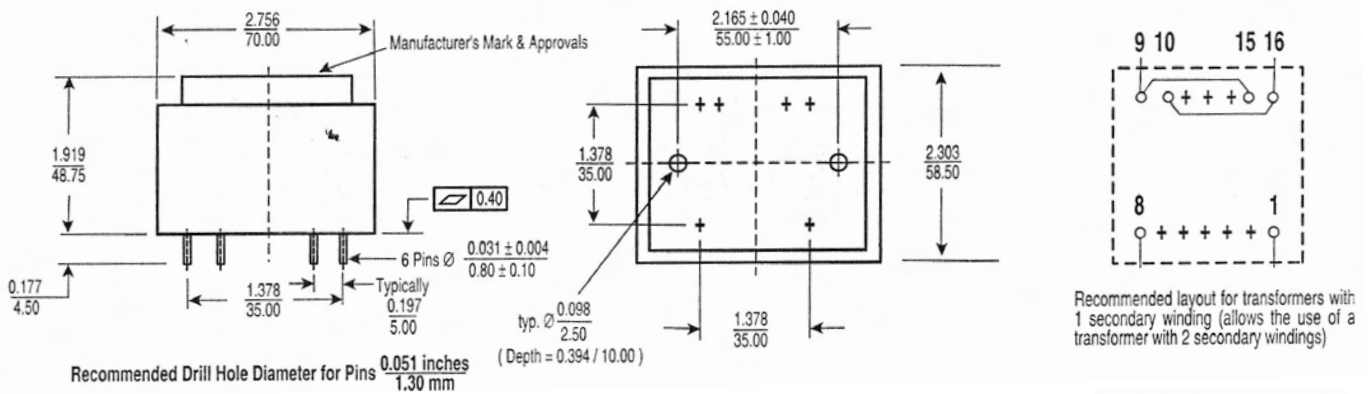
# 44000 Series EI 66-23 (30VA) Sealed Power Transformer

## FEATURES

- UL and VDE Approvals
- Vacuum Filled
- Split Bobbin Design
- Self-Extinguishing Plastics UL94V-0
- Dielectric Strength 4200Vrms
- Inherently energy limited
- Resin Class B IEC 85 (20,000 h Testing to IEC 216)
- Conforms to EN 60742
- 100% Production Tested
- Weight: 700 grams



## OUTLINE DIMENSIONS

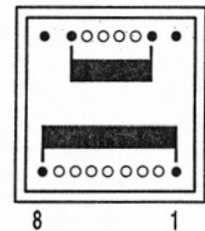


## ELECTRICAL SPECIFICATIONS

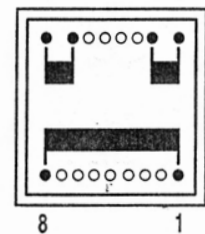
ORDER NO. 115 VAC Pri. Protection 315 mA	ORDER NO. 230 VAC Pri. Protection 160 mA	SEC. VOLTAGE V	SEC. CURRENT mA	NO LOAD VOLTAGE V	AMBIENT TEMP. °C
44385	44373	6	5000	6.9	50
44386	44374	9	3333	10.3	50
44387	44375	12	2500	13.8	50
44388	44376	15	2000	17.2	50
44389	44377	18	1667	20.8	50
44390	44378	24	1250	27.7	50
44391	44379	2 x 6	2 x 2500	2 x 6.9	50
44392	44380	2 x 9	2 x 1667	2 x 10.3	50
44393	44381	2 x 12	2 x 1250	2 x 13.8	50
44394	44382	2 x 15	2 x 1000	2 x 17.2	50
44395	44383	2 x 18	2 x 833	2 x 20.8	50
44396	44384*	2 x 24	2 x 625	2 x 27.7	50

NOTE: Circuit isolation protection is provided per EN 60742  
\* Limited Approval Ratings

1 Secondary Winding  
9 10 15 16



2 Secondary Windings  
9 10 15 16



**ZETTLER Magnetics, Inc.**

The Power to Transform

75 COLUMBIA o ALISO VIEJO, CA 92656 o PHONE 949-360-5838 o FAX 949-360-5839  
o WEB SITE: <http://www.zettlermagnetics.com> o E-MAIL: [sales@zettlermagnetics.com](mailto:sales@zettlermagnetics.com)