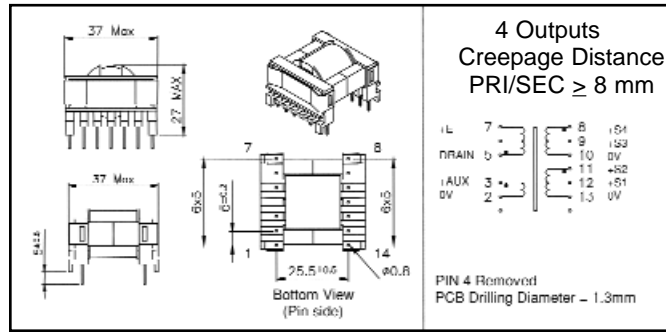


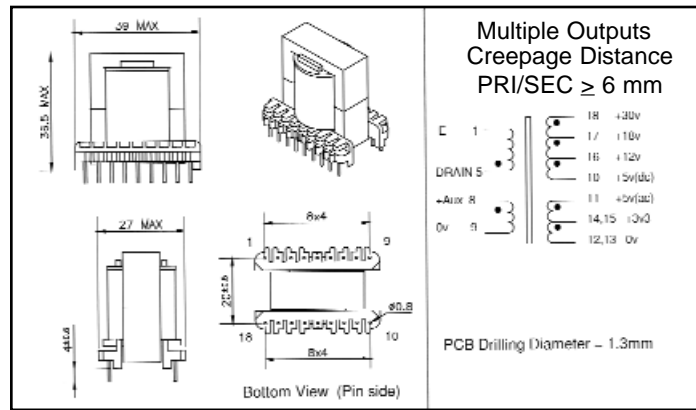
Size ETD29 • 4 Outputs: 5+12 / 5+12V



Part No.	Output Power Maximum	Windings					
			Pins	Turns	Voltage	Current Maximum	Inductance (+/-10%)
74040*	60w Ambient Temp. <50°C	Pri	5 - 7	50	60 - 125 (VOR)	3.0 Apeak	500µH
		Aux	3 - 2	6	7 - 14.5 Vdc	0.5 Adc	
		S1	12 - 13	3	3.3 - 7 Vdc	4 Adc	
		S2	11 - 13	7	8 - 16.5 Vdc	2.5 Adc	
		S3	9 - 10	3	3.3 - 7 Vdc	4 Adc	
		S4	8 - 10	7	8 - 16.5 Vdc	2.5 Adc	

*NOTE: S1 /S3 or S2 / S4 can be connected in series or in parallel.

Size ERL28 • 5 Outputs: 3.3/5/12/18/30V



Part No.	Output Power Maximum	Windings					
			Pins	Turns	Voltage	Current Maximum	Inductance (+/-10%)
74043	60W Ambient Temp. <50°C	Pri	5 - 1	45	90 (VOR)	3 Apeak	500µH
		Aux	8 - 9	7	15 Vdc	0.5 Adc	
		S1	14+15/12+13	2	3.3 Vdc	7 Adc	
		S2	11 / 12+13	3	5 Vdc	Sum S1+S2	
		S3	16 - 10	4	12 Vdc	2 Adc	
		S4	17 - 10	7	18 Vdc	2 Adc	
		S5	18 - 10	13	30 Vdc	0.5 Adc	