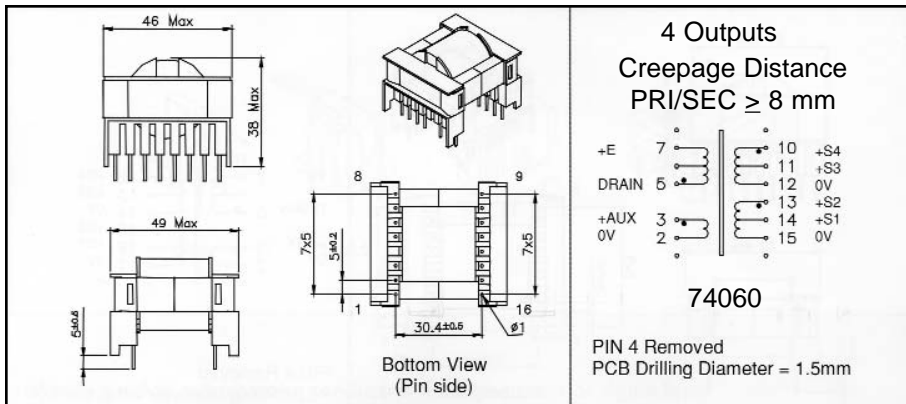
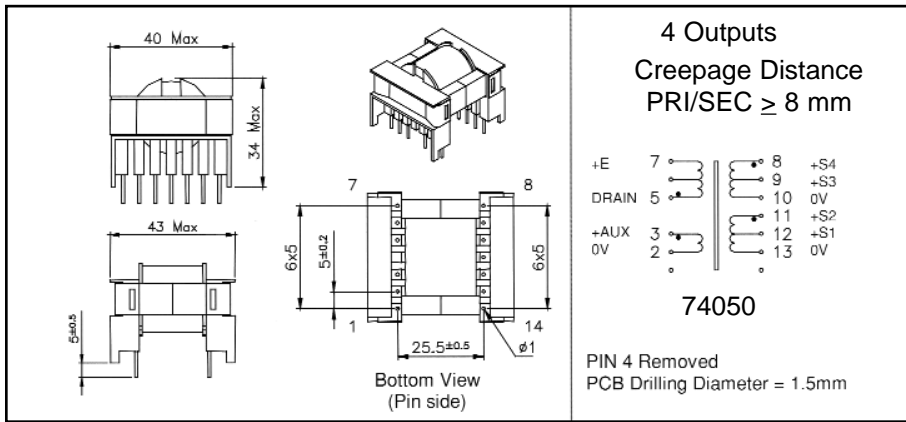


4¹Size ETD34 • 4 Outputs: 5+12 / 5+12V



Part No.	Output Power Maximum	Windings					
			Pins	Turns	Voltage	Current Maximum	Inductance (+/-10%)
74050	90w Ambient Temp. <50°C	Pri	5 - 7	36	65 - 125 (VOR)	2.8 Apeak	500μH
		Aux	3 - 2	4	7 - 14 Vdc	0.5 Adc	
		S1	12 - 13	2	3.3 - 6.5 Vdc	5 Adc	
		S2	11 - 13	5	8.5 - 17 Vdc	3 Adc	
		S3	9 - 10	2	3.3 - 6.5 Vdc	5 Adc	
		S4	8 - 10	5	8.5 - 17 Vdc	3 Adc	
74060	140W Ambient Temp. <50°C	Pri	5 - 7	36	65 - 125 (VOR)	4 Apeak	440μH
		Aux	3 - 2	4	7 - 14 Vdc	0.5 Adc	
		S1	14 - 15	2	3.3 - 6.5 Vdc	5 Adc	
		S2	13 - 15	5	8.5 - 17 Vdc	5 Adc	
		S3	11 - 12	2	3.3 - 6.5 Vdc	5 Adc	
		S4	10 - 12	5	8.5 - 17 Vdc	5 Adc	

NOTE: S1 /S3 or S2 / S4 can be connected in series or in parallel.