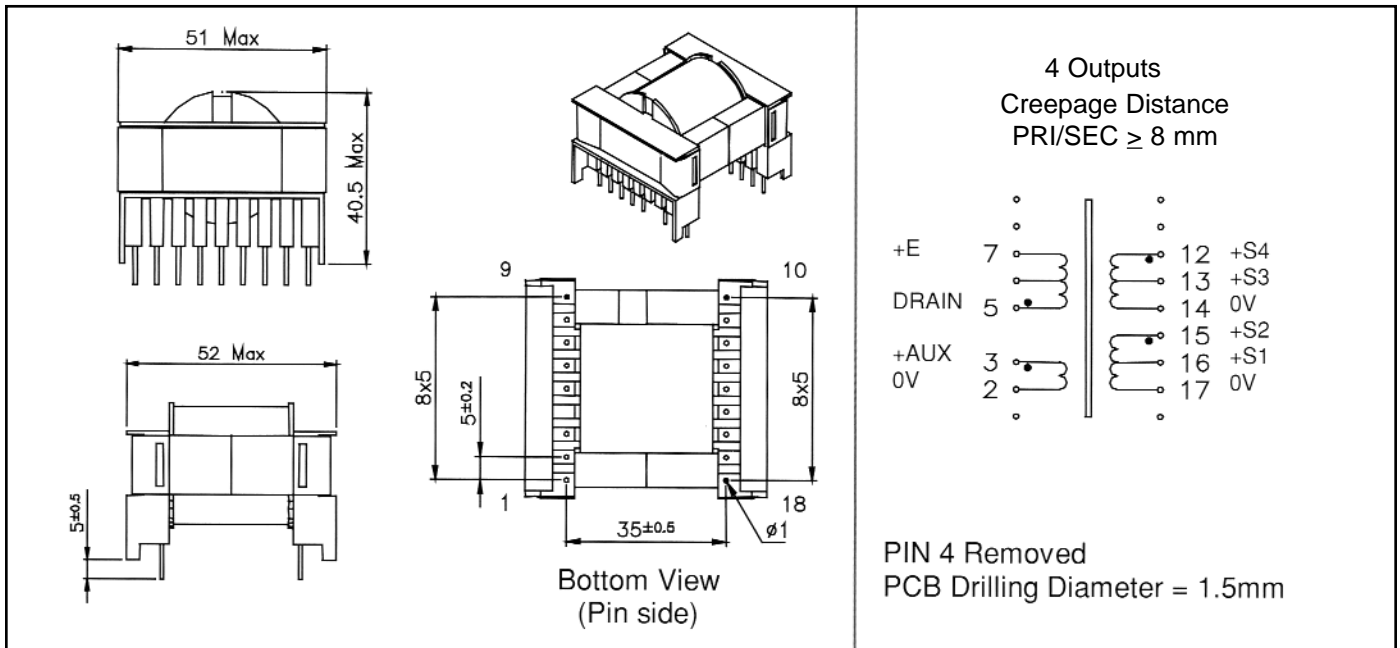


# Size ETD44 • 4 Outputs: 5+12 / 5+12V



Part No.	Output Power Maximum	Windings					
			Pins	Turns	Voltage	Current Maximum	Inductance (+/-10%)
74070	180w Ambient Temp. <50°C	Pri	5 - 7	38	65 - 125 (VOR)	8 Apeak	300μH
		Aux	3 - 2	4	7 - 14 Vdc	0.5 Adc	
		S1	16 - 17	2	3.3 - 6.5 Vde	6 Adc	
		S2	15 - 16	5	8.5 - 17 Vdc	5 Adc	
		S3	15 - 17	2	3.3 - 6.5 Vdc	6 Adc	
		S4	12 - 14	5	38.5 - 17 Vdc	5 Adc	

Note: S1 / S3 or S2 /S4 can be connected in series or in parallel