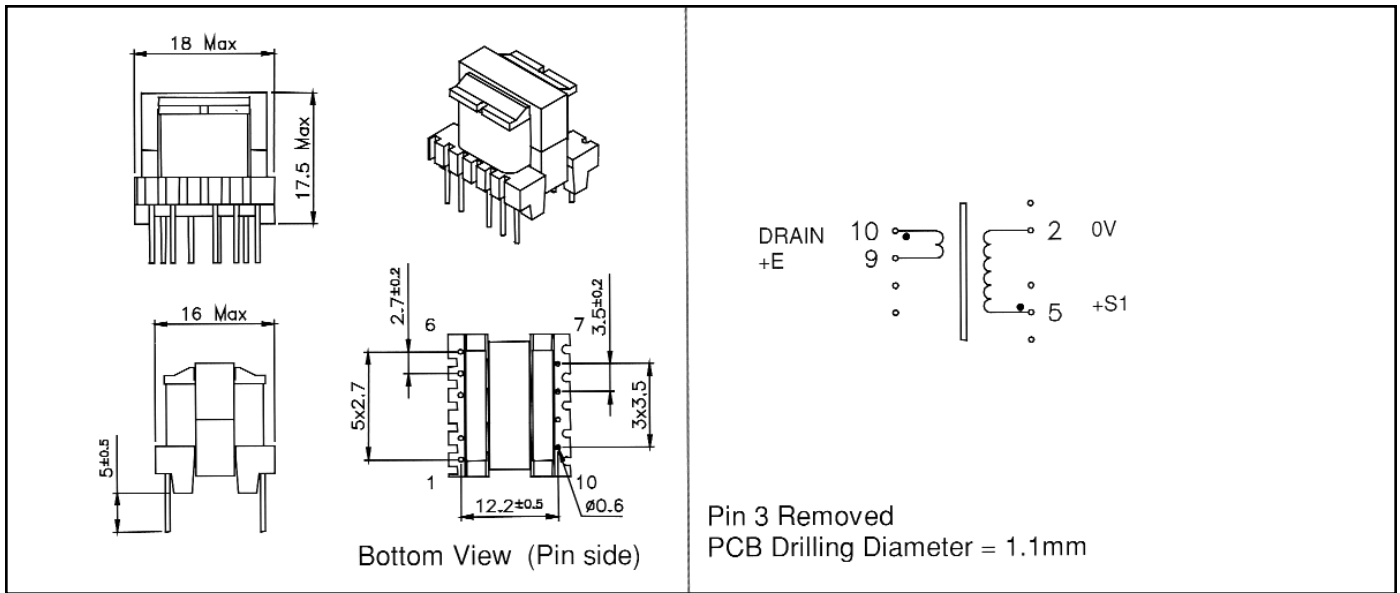


# Size E16 • Single Output: 5 or 12V

- Primary / Secondary Insulation  $\geq 4000V$
- Creepage distance Primary / Secondary  $\geq 6mm$
- Construction conforms to IEC950, IEC335, IEC61558 for reinforced insulation
- Exclusively uses UL94-V0 listed materials



Part No.	Output Power Maximum	Windings					
			Pins	Turns	Voltage	Current Maximum	Inductance (+/-10%)
74090	1.5w Ambient Temp. <85°C	Pri	10 - 9	228	50 - 95 (VOR)	0.28 Apeak	6000µH
		S1	5 - 2	16	3.3 - 6 Vdc	0.4 Adc	
74091	1.5w Ambient Temp. <85°C	Pri	10 - 9	228	65 - 130 (VOR)	0.28 Apeak	6000µH
		S1	5 - 2	28	7.5 - 15 Vdc	0.2 Adc	
74092	3.1w Ambient Temp. <70°C	Pri	10 - 9	191	55 - 100 (VOR)	0.34 Apeak	4200µH
		S1	5 - 2	13	3.3 - 6 Vdc	0.9 Adc	
74093	3.1w Ambient Temp. <70°C	Pri	10 - 9	191	65 - 125 (VOR)	0.34 Apeak	4200µH
		S1	5 - 2	24	7.5 - 15 Vdc	0.4 Adc	
74094	9w Ambient Temp. <60°C	Pri	10 - 9	135	55 - 100 (VOR)	0.48 Apeak	2100µH
		S1	5 - 2	9	3.3 - 6 Vdc	1.5 Adc	
74095	9w Ambient Temp. <60°C	Pri	10 - 9	135	65 - 125 (VOR)	0.48 Apeak	2100µH
		S1	5 - 2	17	7.5 - 15 Vdc	0.9 Adc	