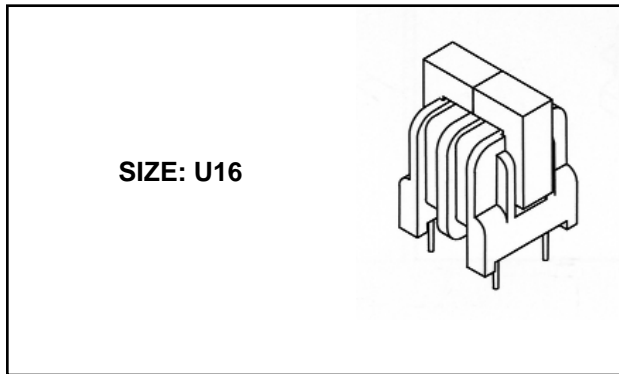


# Common Mode Chokes For EMI Suppression



## ELECTRICAL CHARACTERISTICS:

Part No.	Inductance Common Mode min - max (mH)	Rated Current Arms	Resistance Per Winding ohm max	Inductance Differential Mode $\mu$ H min	Resonant Frequency kHz min
74310	22 - 37	0.75	1	230	170
74311	15 - 25	0.9	0.75	150	210
74312	10 - 17	1.1	0.44	100	280
74313	4.7 - 8	1.5	0.24	50	440
74314	2.2 - 3.7	2.3	0.095	20	650
74315	1 - 1.7	3.3	0.046	10	1000

## MECHANICAL CHARACTERISTICS / PINOUT:

