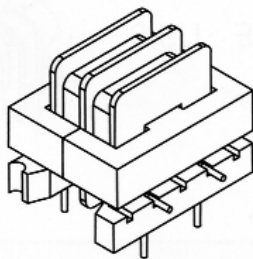


# Common Mode Chokes For EMI Suppression

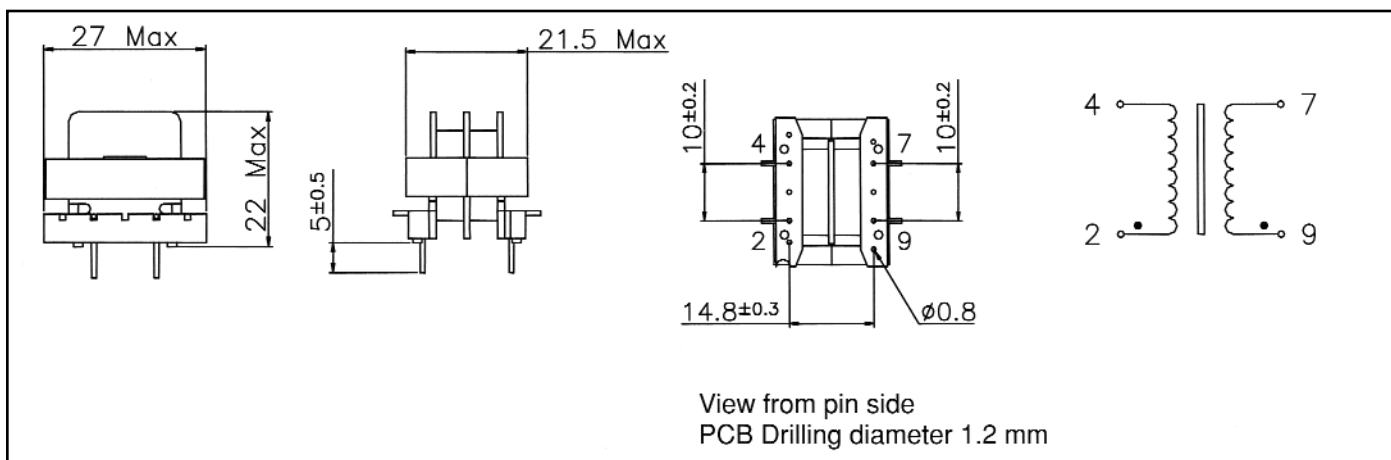
SIZE: E25



## ELECTRICAL CHARACTERISTICS:

Part No.	Inductance Common Mode min - max (mH)	Rated Current Arms	Resistance Per Winding ohm max	Inductance Differential Mode $\mu$ H min	Resonant Frequency kHz min
74320	22 - 37	0.9	0.54	130	170
74321	15 - 25	1.1	0.35	90	210
74322	10 - 17	1.3	0.22	50	270
74323	4.7 - 8	1.8	0.105	25	400
74324	2.2 - 3.7	2.7	0.05	11	630
74325	1 - 1.7	4	0.03	7	950

## MECHANICAL CHARACTERISTICS / PINOUT:



**ZETTLER Magnetics, Inc.**

75 COLUMBIA • ALISO VIEJO, CA 92656 • PHONE: (949) 360-5838 • FAX: (949) 360-5839 • E-MAIL: SALES@ZETTLERMAGNETICS.COM