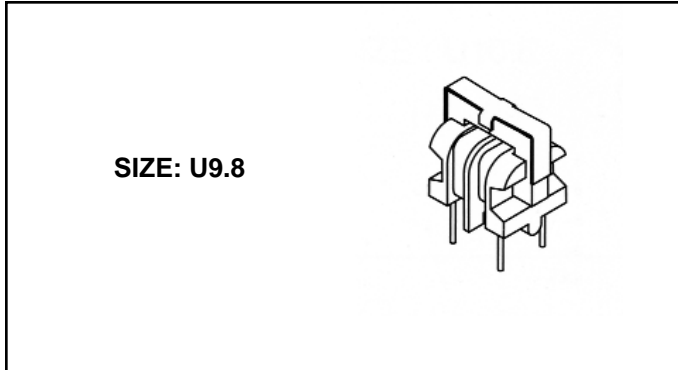


# Common Mode Chokes For EMI Suppression

- Ambient Temperature  $\leq 50^{\circ}\text{C}$
- Dielectric Strength  $\geq 1.5\text{kV}$  between windings
- Electrical Characteristics at  $25^{\circ}\text{C}$



## ELECTRICAL CHARACTERISTICS:

Part No.	Inductance Common Mode min - max (mH)	Rated Current Arms	Resistance Per Winding ohm max	Inductance Differential Mode $\mu\text{H}$ min	Resonant Frequency kHz min
74330	33 - 56	0.18	7	710	210
74331	18 - 31	0.26	3.5	360	280
74332	10 - 17	0.35	2.0	210	400
74333	4.7 - 8	0.5	.95	100	610
74334	2.2 - 3.7	0.8	.4	45	910
74335	1 - 1.7	1.1	.21	20	1300

## MECHANICAL CHARACTERISTICS / PINOUT:

