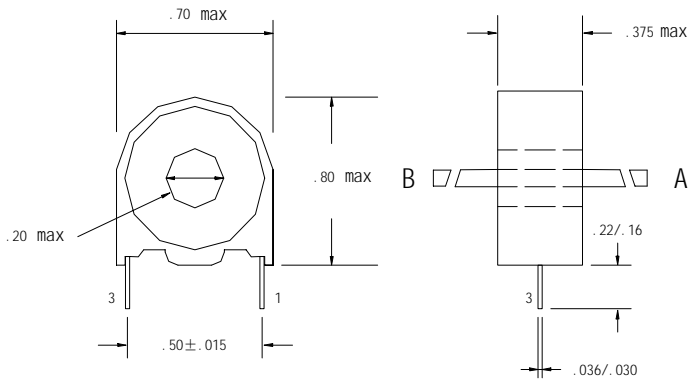
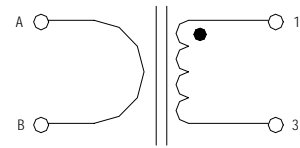


Current Sensor Transformer

MECHANICAL DIMENSIONS (inch)



SCHEMATIC



MOUNTING PATTERN

ELECTRICAL CHARACTERISTICS

Part No	Turns	Inductance (mH)	Sensed Current Max(A)	Vout(V)	Iin(A)	Color Code	Terminating Resistor (Ohms)
T12001B	100	20	24	1	1	Green	100
T12002B	200	100	35	1	1	Brown	200
T12003B	750	1125	30	1	1	Red	750

Inductance measured @30kHz,0.1Vrms

APPLICATIONS

Applications include feedback control, overload sensing, detecting load drop or shutdown, and proportional output.