

AGL SERIES

Chassis Mount Power Transformers

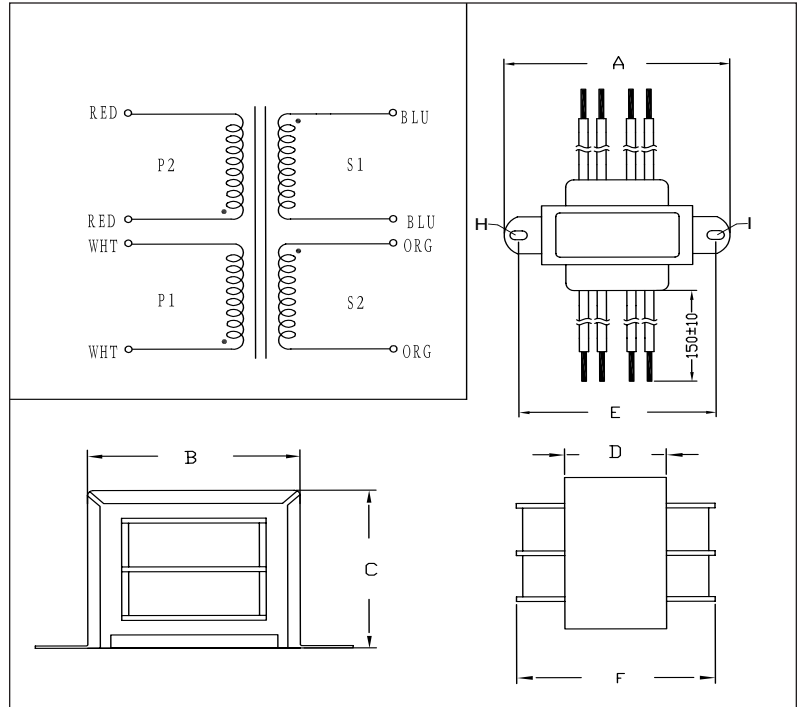


- Designed to meet UL 1585 for Class 2 transformers
- Dielectric Strength 1500 V (Pri:Sec)
- Dual 115V/230V Primaries (50/60 Hz)
- Class B insulation system
- Custom Designs and Connectors available upon request

Electrical Data

Part Number	VA rating	Secondary Rating	
		Parallel	Series
AGL0306	3	3V @ 1A	6V @ 0.5A
AGL0310	3	5V @ 0.6A	10V @ 0.3A
AGL0318	3	9V @ 0.33A	18V @ 0.17A
AGL0324	3	12V @ 0.25A	24V @ 0.125A
AGL0336	3	18V @ 0.17A	36V @ 0.085A
AGL0606	6	3V @ 2A	6V @ 1A
AGL0610	6	5V @ 1.2A	10V @ 0.6A
AGL0618	6	9V @ 0.66A	18V @ 0.34A
AGL0624	6	12V @ 0.5A	24V @ 0.25A
AGL0636	6	18V @ 0.34A	36V @ 0.17A
AGL1206	12	3V @ 4A	6V @ 2A
AGL1210	12	5V @ 2.4A	10V @ 1.2A
AGL1218	12	9V @ 1.33A	18V @ 0.67A
AGL1224	12	12V @ 1A	24V @ 0.5A
AGL1236	12	18V @ 0.67A	36V @ 0.34A
AGL2006	24	3V @ 8A	6V @ 4A
AGL2010	24	5V @ 4.8A	10V @ 2.4A
AGL2018	24	9V @ 2.66A	18V @ 1.33A
AGL2024	24	12V @ 2A	24V @ 1A
AGL2036	24	18V @ 1.33A	36V @ 0.67A

Mechanical Data



Dimensions (Tol. ± 1mm)

VA	A(mm)	B(mm)	C(mm)	D(mm)	E(mm)	F(mm)	H(mm)	I(mm)
3	55	37	33	18	46	32	Ø4	3.5x6
6	63	43	37	19	53	35	Ø4	4x5
12	72	50	43	26	61	41	4.5x7	4.5x7
24	82	60	52	28	71	45	5x8	5x8

Schematic Diagram

