

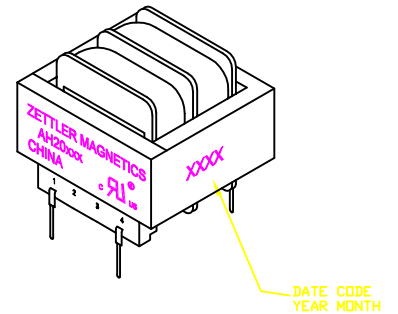
TRANSFORMER, POWER, PCB 1.1VA
 SINGLE 115V PRIMARY AND DUAL SECONDARIES

1. ELECTRICAL SPECIFICATIONS:

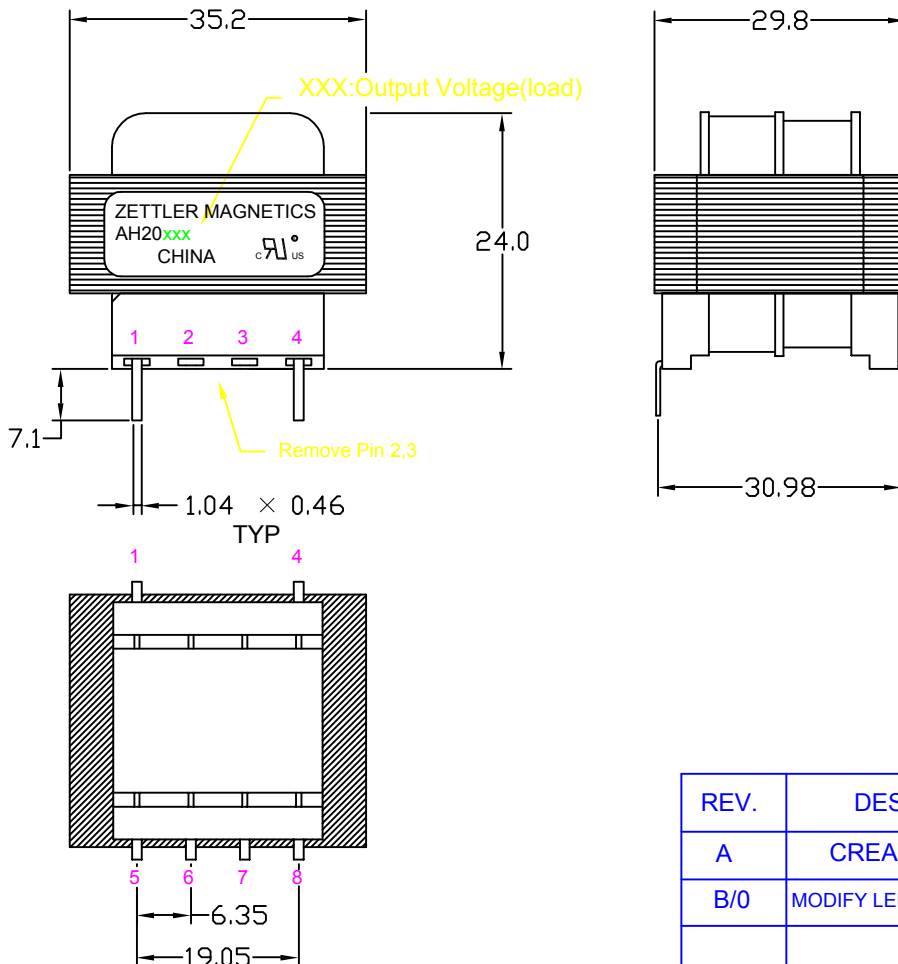
- A. Maximum Power: 1.1VA
- B. Primary Voltage and Frequency: 115V± 10% @ 50/60Hz
- C. Secondary Voltage: See Electrical Table
- D. Temperature Rise: 45° C MAX allowed
- E. Excitation Current: 25mA MAX
- F. Hi-Pot: 2500Vrms 1 minute @ Pri. to Sec.
 1500Vrms 1 minute @ Pri. to Core
 1500Vrms 1 minute @ Sec. to Core

G. Safety:

Insulation System ZM-130-5, Class B, UL File No.E177235
 UL506, General Purpose, US and Canada, File No.E177998



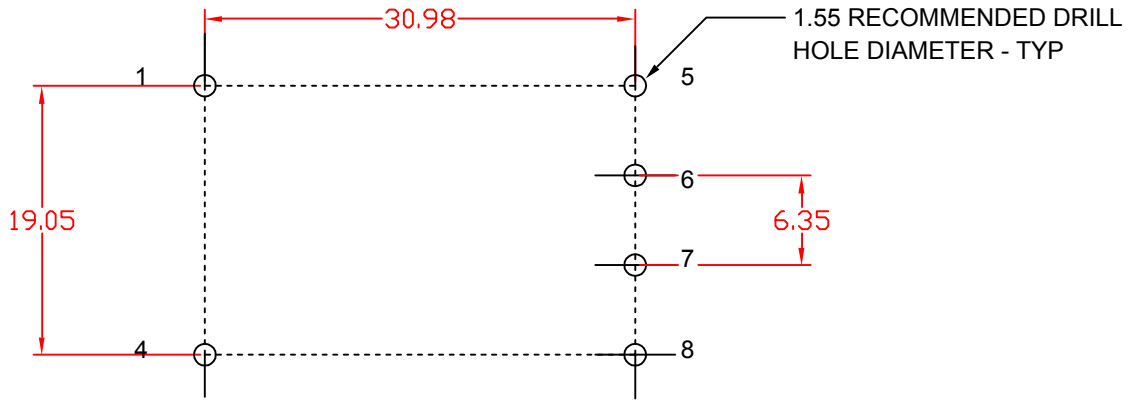
2. MECHANICAL SPECIFICATIONS:



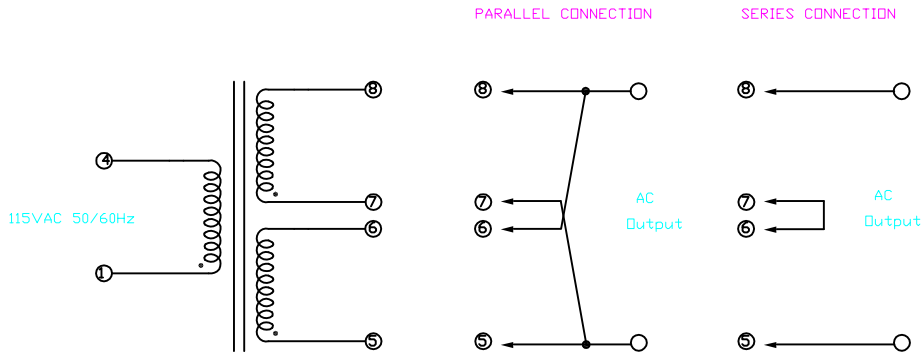
| REV. | DESCRIPTION | DRAWN | DATE(M/D/Y) |
|------|---------------------------|-------|--------------|
| A | CREATED DRAWING | ZHENG | June 17,2002 |
| B/0 | MODIFY LENGTHS OF THE PIN | ye | June 12,2006 |
| | | | |
| | | | |

| TOLERANCE | SCALE NOT 1:1 | UNIT mm | DATE (M/D/Y) | MODEL DESCRIPTION | |
|-----------|------------------|------------------------------------|-----------------|----------------------------------|----------------------------|
| X | ± 0.3 | DRAWN | ye | ZETTLER MAGNETICS | MATERIAL Class B 130° C |
| X.X | ± 0.2 | CHECKED | | | MODEL: AH200series |
| X.XX | ± 0.1 | QC | | TITLE AH200series PCD | SHEET: 1 OF 2 |
| THICKNESS | / | APPROVED | | | |
| REV. | B/0 | E:\ACAD\AH200series\AH200seriesPCD | | | |

3. MOUNTING FOOTPRINT:



4. SCHEMATIC DIAGRAM:



5. ELECTRICAL TABLE:

| PART NO. | PARALLEL CONNECTION | | SERIES CONNECTION | |
|-------------|---------------------|---------|-------------------|---------|
| | AC VOLTAGE | CURRENT | AC VOLTAGE | CURRENT |
| AH200series | 5V | 220mA | 10V | 110mA |
| AH20012 | 6.3V | 180mA | 12.6V | 90mA |
| AH20016 | 8V | 140mA | 16V | 70mA |
| AH20020 | 10V | 110mA | 20V | 55mA |
| AH20024 | 12V | 90mA | 24V | 45mA |
| AH20028 | 14V | 80mA | 28V | 40mA |
| AH20036 | 18V | 60mA | 36V | 30mA |
| AH20048 | 24V | 46mA | 48V | 23mA |
| AH20056 | 28V | 40mA | 56V | 20mA |
| AH20120 | 60V | 18.3mA | 120V | 9.2mA |

| REV. | DESCRIPTION | DRAWN | DATE(M/D/Y) |
|------|---------------------------|-------|--------------|
| A | CREATED DRAWING | ZHENG | June 17,2002 |
| B/0 | MODIFY LENGTHS OF THE PIN | ye | June 12,2006 |
| | | | |
| | | | |

| TOLERANCE | SCALE NOT 1:1 | UNIT mm | DATE (M/D/Y) | MODEL DESCRIPTION | |
|-----------|------------------|------------------------------------|-----------------|--|--|
| X | ± 0.3 | DRAWN | ye | ZETTLER MAGNETICS TITLE AH200series PCD | |
| X.X | ± 0.2 | CHECKED | | | |
| X.XX | ± 0.1 | QC | | | |
| THICKNESS | / | APPROVED | | | |
| REV. | B/0 | E:\ACAD\AH200series\AH200seriesPCD | | MATERIAL Class B 130° C MODEL: AH200series SHEET: 2 OF 2 | |