

# Switch Mode Power Module

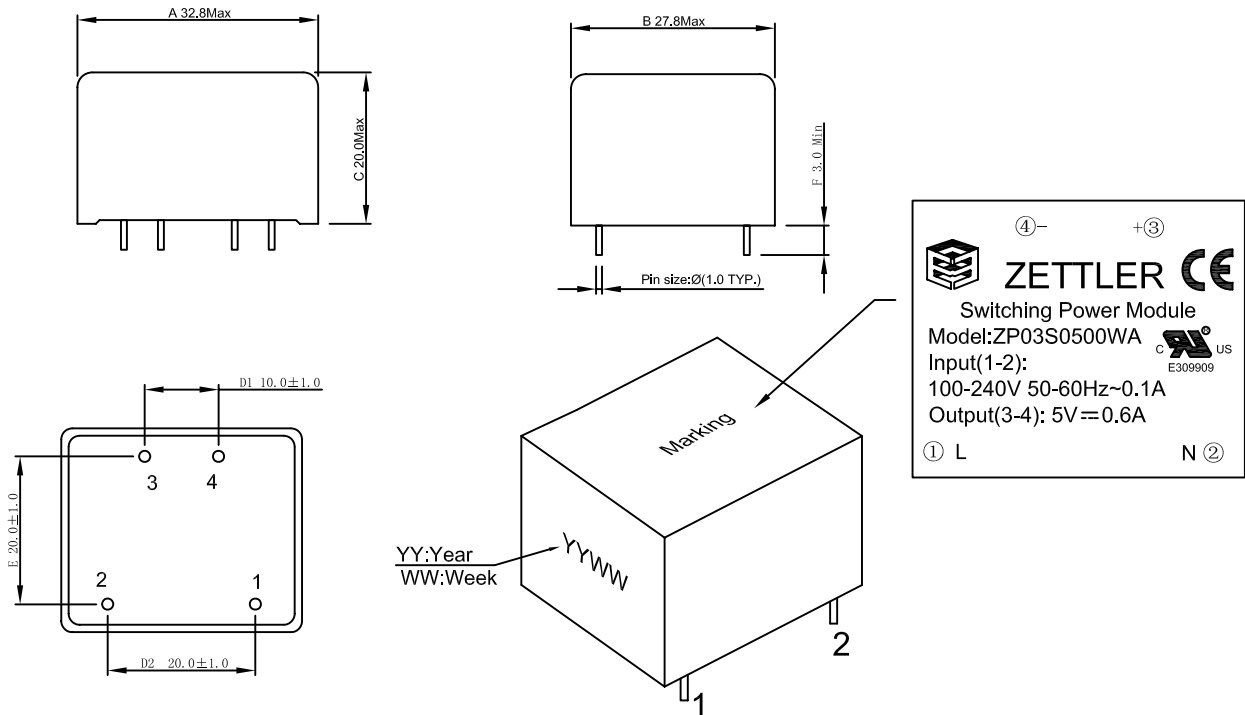
## 3W Single Output

PAGE REV	DESCRIPTION	DATE	BY
A0	CREATED	2011-09-06	Lance
A1	Modify ELECTRICAL TABLE	2012-9-21	Lance
A2	Modify ELECTRICAL TABLE	2013-06-26	ye
A3	Modify PIN Distance Tolerance	2013-10-16	Dana
A4	Modify ELECTRICAL SPECIFICATIONS	2014-02-07	Dana

### 1. ELECTRICAL SPECIFICATIONS:

Model NO.	ZP03S 0300WA	ZP03S 0500WA	ZP03S 0600WA	ZP03S 0700WA	ZP03S 0800WA	ZP03S 0900WA	ZP03S 1000WA	ZP03S 1200WA	ZP03S 1500WA	ZP03S 1800WA	ZP03S 2400WA	
Max Output Wattage (W)	3 W											
INPUT	Rated Voltage	100-240VAC										
	Voltage Range	90-264 VAC 50/60Hz										
	Inrush Current (<500us)	15 A max. (100 VAC) / 25 A max. (240 VAC)										
	No Load Losses	0.15W Max										
OUTPUT	Voltage (VDC.)	3.3V	5V	6V	7.5V	8V	9V	10V	12V	15V	18V	24V
	Voltage Accuracy (Full Load)	± 7% ± 5%										
	Current (mA) max	910	600	500	400	375	330	300	250	200	167	125
	Ripple+Noise	≤5% max (Vp-p)										
	Efficiency(Typ)	65%			68%			70%				
PROTECTION	OCP (Over Current Protection)	Hiccup mode										
	OVP (Over Voltage Protection)	Hiccup mode										
	SCP (Short Circuit Protection)	Hiccup mode										
WEIGHT (TYP)	30g											
SAFETY	Safety Standard	Series UL Certification For UL60950-1. Commit to IEC60950-1, EN61558-1,EN61558-2-6,EN61558-2-17										
EMC	EMI (Conducted & Radiated Emission)	Compliance With EN 55022 Class B										
	EMS (Noise Immunity)	Compliance With EN 55024,EN55014-1, EN55014-2,EN61000-3-2 Class A,EN61000-3-3 Surge:1KV EFT:1KV ESD:4KV-Contact/8KV-Air										

### 2. MECHANICAL SPECIFICATIONS:



UNIT	TOLERANCE
MM	X.X = ± 0.5
3RD ANGLE	X.XX = ± 0.3
	ANG = -
SCALE:	DATA
DRAWN:	Dana 2014-02-07
CHECKED:	
APPROVED:	

# ZETTLER MAGNETICS

TITLE: 3W SINGLE OUTPUT SWITCH MODE POWER MODULE

PART NO:  
**ZP03SXX00WA**

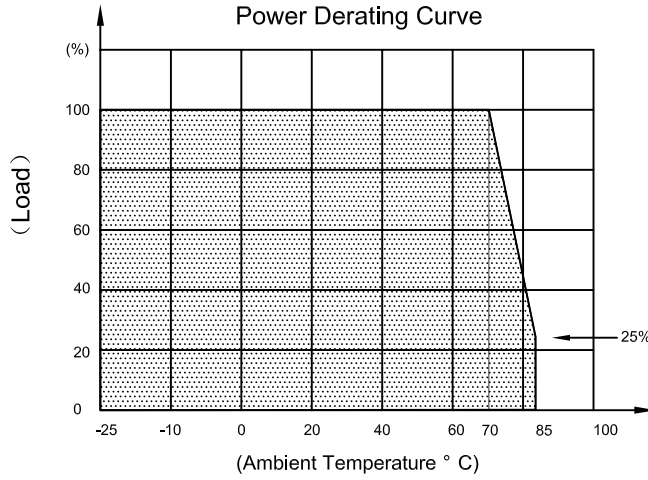
ZM Project:		SPEC REV: A/4
Customers p/n:		SH NO: 1/2

Web: [www.zettlermagnetics.com](http://www.zettlermagnetics.com)

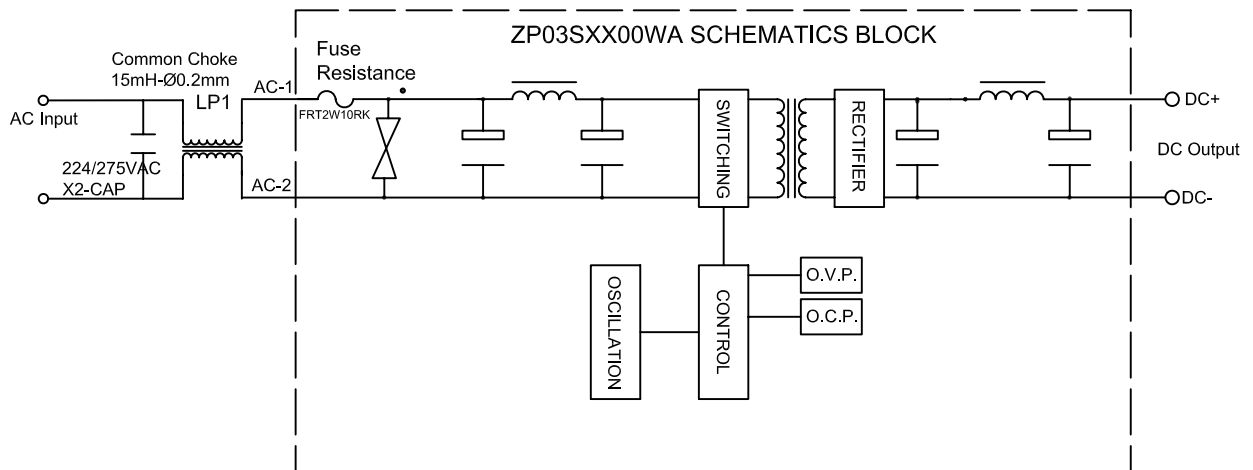
E-mail: [sales@zettlermagnetics.com](mailto:sales@zettlermagnetics.com)

3. DERATING:

PAGE REV	DESCRIPTION	DATE	BY
A0	CREATED	2011-09-06	Lance
A1	Modify ELECTRICAL TABLE	2012-9-21	Lance
A2	Modify ELECTRICAL TABLE	2013-06-26	ye
A3	Modify PIN Distance Tolerance	2013-10-16	Dana
A4	Modify ELECTRICAL SPECIFICATIONS	2014-02-07	Dana



4. SCHEMATIC DIAGRAM:



5. ELECTRICAL TABLE:

ITEM	FULL LOAD POWER (W)		LOSS POWER (W)	OUTPUT VOLTAGE(VDC)		OVER POWER PROTECTION		SHORT CIRCUIT PROTECTION	HI-POT VOLTAGE
	Input: 110V 60Hz	Input: 220V 50Hz		Input: 110/60HZ 220V/50Hz	Input: 110V 60Hz	Input: 220V 50Hz	Input: 110V 60Hz		
CONDITION	Input: 110V 60Hz	Input: 220V 50Hz	Input: 110/60HZ 220V/50Hz	Input: 110/60HZ 220V/50Hz		Input: 110V 60Hz	Input: 220V 50Hz	Input: 220V/50Hz	5mA/ 2s/50Hz
TERMINAL	1--2	1--2	1--2	3--4		3--4	3--4	3--4	P--S
				0mA	mA				
Requirement	2.2W MAX		0.3W MAX	± 5%(3.3V± 7%) ± 5%(3.3V± 7%)		≤ A	≤ A	Hiccup mode	4200V

UNIT MM	TOLERANCE	
3RD ANGLE	X.X = ± 0.5	
	X.XX = ± 0.3	
	ANG = -	
SCALE:	DATA	
DRAWN:	Dana	2014-02-07
CHECKED:		
APPROVED:		

**ZETTLER MAGNETICS**

TITLE: 3W SINGLE OUTPUT SWITCH MODE POWER MODULE

PART NO:  
**ZP03SXX00WA**

ZM Project:		SPEC REV: A/4
Customers p/n:		SH NO: 2/2

Web: [www.zettlermagnetics.com](http://www.zettlermagnetics.com)  
E-mail: [sales@zettlermagnetics.com](mailto:sales@zettlermagnetics.com)