

Switch Mode Power Module

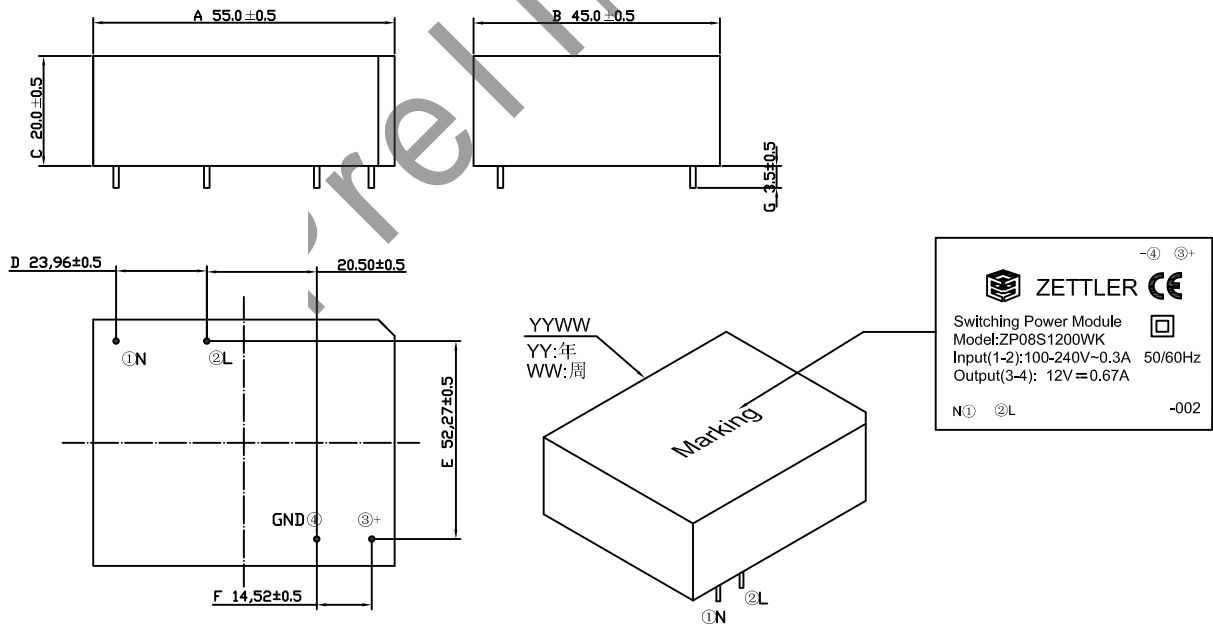
5W Single Output

PAGE REV	DESCRIPTION	DATE	BY
A0	First made	2018-1-24	XD

1. ELECTRICAL SPECIFICATIONS:

Model NO.	ZP08S1200WK-002		
Max Output Wattage (W)	8W		
INPUT	Rated Voltage	100-240VAC	
	Voltage Range	90-264VAC	
	Inrush Current (<500us)	25 A max. (100 VAC) / 35A max. (240 VAC)	
	No Load Losses	0.3W Max	
OUTPUT	Voltage (VDC.)	12V	
	Voltage Accuracy (Full Load)	±5%	
	Current (mA) max	667	
	Ripple	<120mV max (Vp-p)	
	Noise	<1% Output Voltage max (Vp-p)	
	Efficiency(Typ)	75%	
PROTECTION	OCP (Over Current Protection)	Hiccup mode	
	OVP (Over Voltage Protection)	Hiccup mode	
	SCP (Short Circuit Protection)	Hiccup mode	
WEIGHT (TYP)	81g		
SAFETY	Agency Approvals	Approval: Refer to IEC60950-1/EN60950-1,IEC61558-1/EN61558-1,EN61558-2-6,EN61558-2-17	
EMC	EMI (Conducted & Radiated Emission)	Compliance With EN 55022 Class A	
	EMS (Noise Immunity)	Compliance With EN 55024,EN55014-1, EN55014-2,EN61000-3-2 Class A,EN61000-3-3	

2. MECHANICAL SPECIFICATIONS:



UNIT	TOLERANCE
MM[in]	X.X = ±0.5
3RD ANGLE	X.XX = ±0.3
	ANG = -
SCALE:	DATA
DRAWN: XIAO	2018-1-24
CHECKED:	
APPROVED:	

ZETTLER MAGNETICS

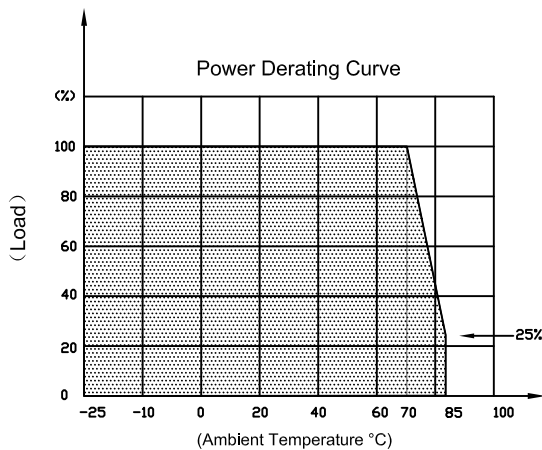
TITLE: 8W SINGLE OUTPUT SWITCH MODE POWER MODULE

PART NO: ZP08S1200WK-002	ZM Project:	SPEC REV: A/0
	Customers p/n:	SH NO 1/2

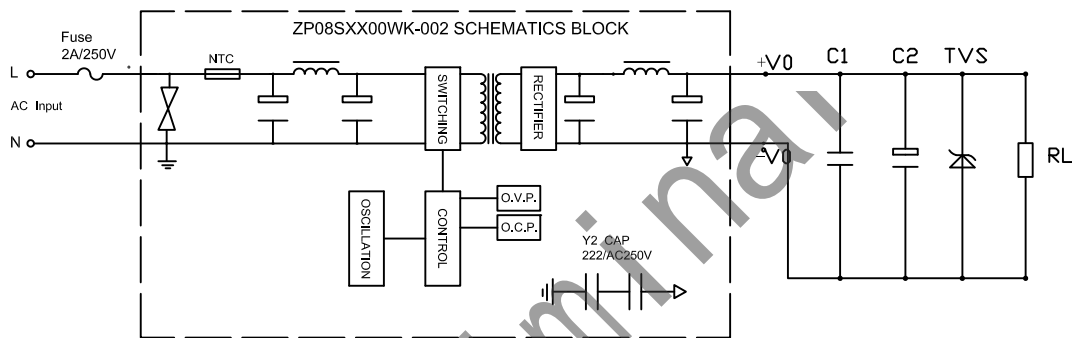
Web: www.zettlermagnetics.com
E-mail: sales@zettlermagnetics.com

PAGE REV	DESCRIPTION	DATE	BY
A0	First made	2018-1-24	XD

3. DERATING:



4. SCHEMATIC DIAGRAM:



Note; The power supply is considered a component which will be installed into a final equipment. The final equipment must be re-confirmed that it still meet EMC directives.

Optional recommendations on external components:

C1 from output filter is electrolytic capacitor, High frequency low resistance capacitance is recommended; withstand voltage derating over 80%.

C2 from output filter is ceramic capacitor, to remove high frequency noise.

TVS from output filter is to protect the rear circuit.

Fuse from input filter is to meet safety requirement. Type: 2A/250V Slow-Blow

5. ELECTRICAL TABLE:

ITEM	FULL LOAD POWER (W)		LOSS POWER (W)	OUTPUT VOLTAGE(VDC)		OVER POWER PROTECTION		SHORT CIRCUIT PROTECTION	HI-POT VOLTAGE
	Input: 110V 60Hz	Input: 220V 50Hz		Input: 110V/60Hz 220V/50Hz	Input: 110V 60Hz	Input: 220V 50Hz			
CONDITION	Input: 110V 60Hz	Input: 220V 50Hz	Input: 110V/60Hz 220V/50Hz	Input: 110V/60Hz 220V/50Hz		Input: 110V 60Hz	Input: 220V 50Hz	Input: 220V/50Hz	4.2KVac/ 2s/50Hz
TERMINAL	1--2	1--2	1--2	3--4		3--4	3--4	3--4	P--S
				0mA	667mA				
STANDARD	11.0W MAX	11.0W MAX	0.3W MAX	12.0±5%	12.0±5%	≤ 1.5 A	≤ 1.5 A	Hiccup mode	5mA Max

UNIT MM[in]	TOLERANCE X.X = ±0.5 X.XX = ±0.3 ANG = -
3RD ANGLE 	
SCALE:	DATA
DRAWN: XIAO	2018-1-24
CHECKED:	
APPROVED:	

ZETTLER MAGNETICS

TITLE: 8W SINGLE OUTPUT SWITCH MODE POWER MODULE

PART NO: ZP08S1200WK-002	ZM Project:	SPEC REV: A/0
	Customers p/n:	SH NO 2/2

Web: www.zettlermagnetics.com
E-mail: sales@zettlermagnetics.com